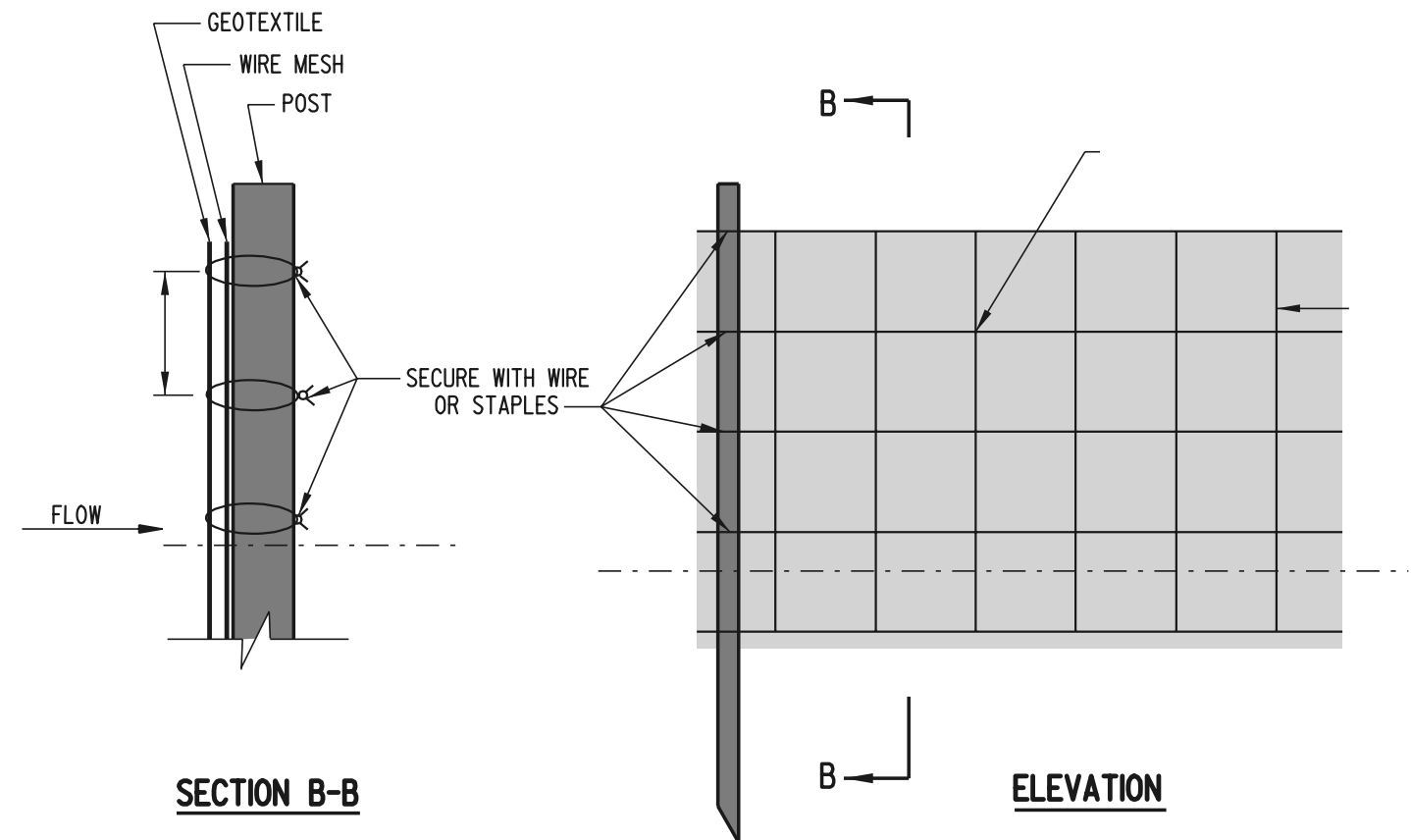


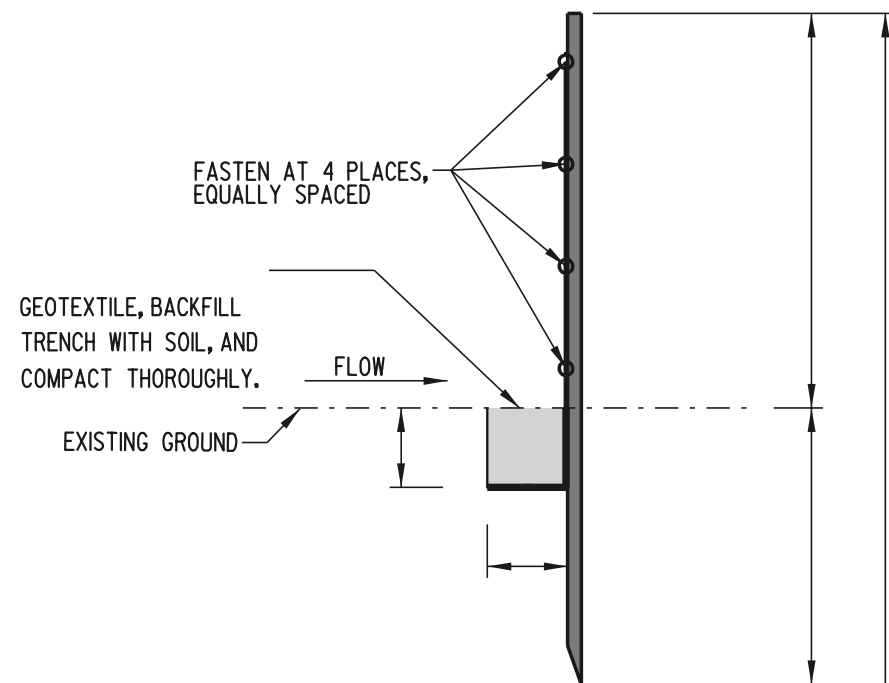
**ISOMETRIC VIEW**



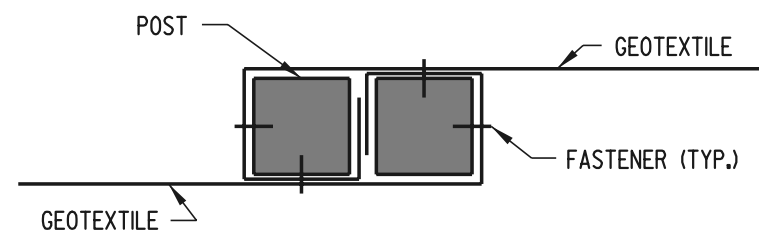
**SECTION B-B**

**ELEVATION**

**WIRE MESH DETAIL  
(REINFORCED SILT FENCE ONLY)**



**SECTION A-A**

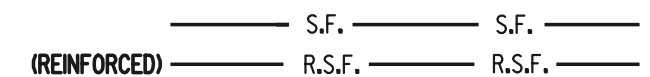


**CONNECTON DETAIL**

FOR USE WITH JOINING TWO  
ADJACENT SILT FENCE SECTIONS

**NOTE:** THIS DEVICE IS INTENDED TO CONTROL SHEET FLOW ONLY.  
IT SHALL NOT BE USED IN AREAS OF CONCENTRATED FLOW.

**PLAN SYMBOL**



**DELAWARE  
DEPARTMENT OF TRANSPORTATION**

**SILT FENCE**

STANDARD NO. **E-2 (99)**

SHT. **1** OF **1**

**APPROVED**

CHIEF ENGINEER \_\_\_\_\_ DATE \_\_\_\_\_

**RECOMMENDED**

DESIGN ENGINEER \_\_\_\_\_ DATE \_\_\_\_\_