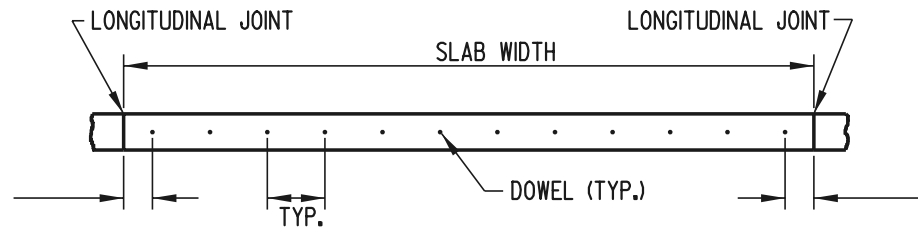
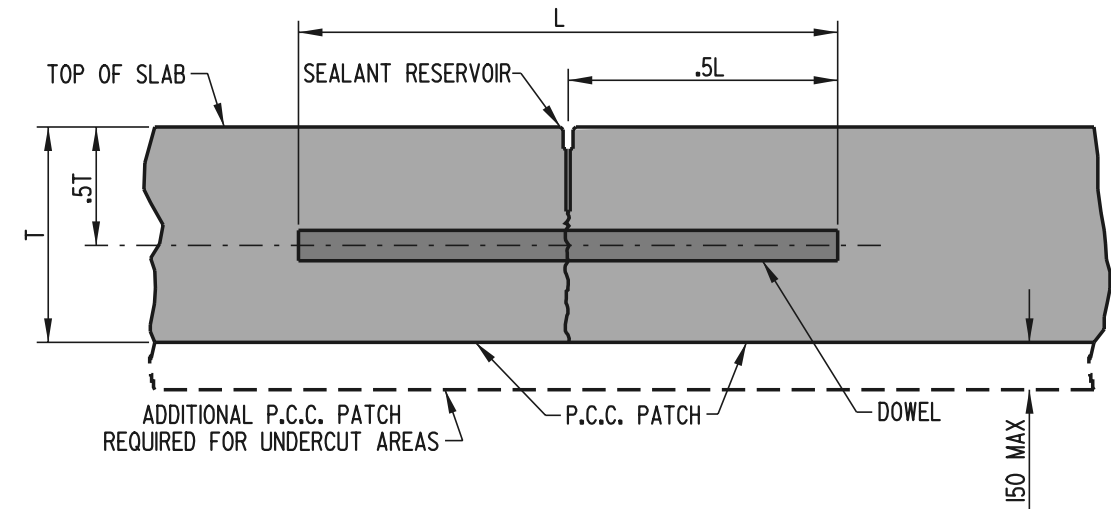


SCALE :



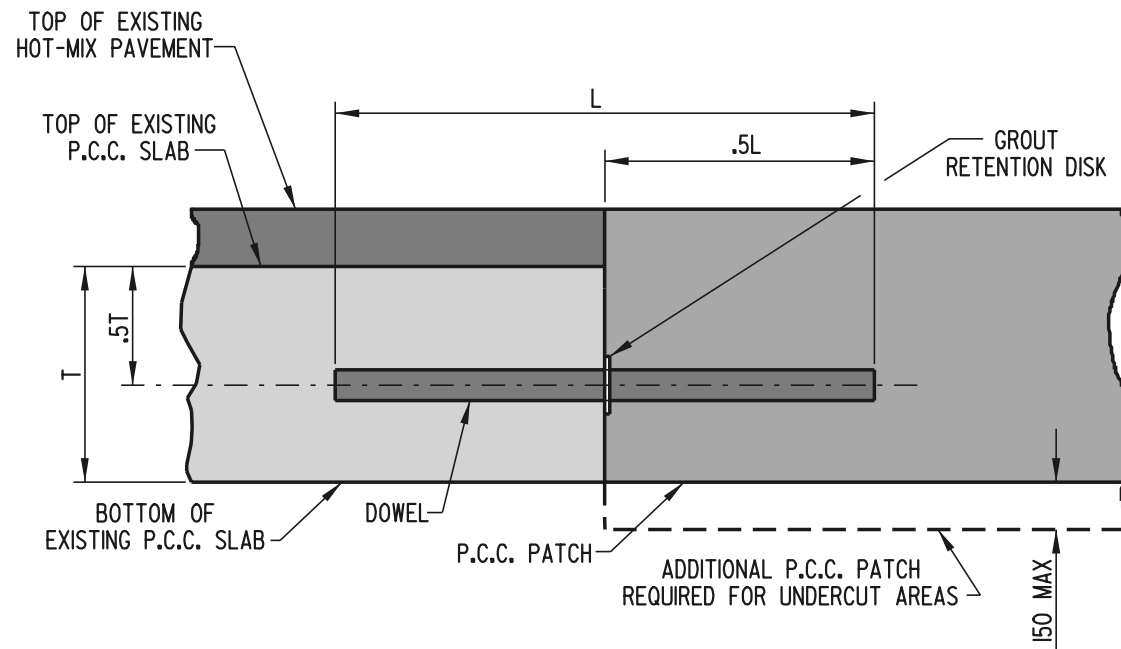
SECTION A-A



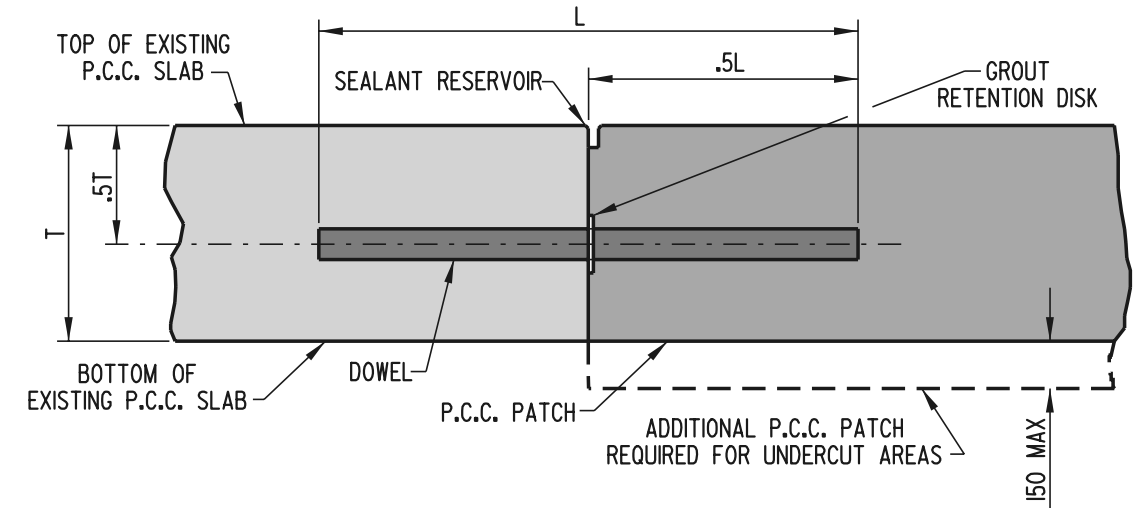
DOWEL SUPPORT BASKET REQUIRED FOR THIS APPLICATION
(REFER TO STANDARD CONSTRUCTION DETAIL FOR P.C.C. PAVEMENT.)

SECTION B-B

TRANSVERSE SAW-CUT USED FOR JOINTS LOCATED WITHIN THE PATCH



EXIST. HOT-MIX OVER P.C.C. PAVEMENT



EXIST. P.C.C. PAVEMENT

SECTION C-C

TRANSVERSE CONSTRUCTION JOINT USED ON JOINTS BETWEEN EXISTING PAVEMENT AND PATCH

FULL DEPTH PATCH



DELAWARE
DEPARTMENT OF TRANSPORTATION

P.C.C. PAVEMENT PATCHING

STANDARD NO.

P-02 (99)

SHT. 2

OF 5

APPROVED

Raymond M. Huchens
CHIEF ENGINEER

12/30/98
DATE

RECOMMENDED

Raymond D. Richter
DESIGN ENGINEER

12/17/98
DATE