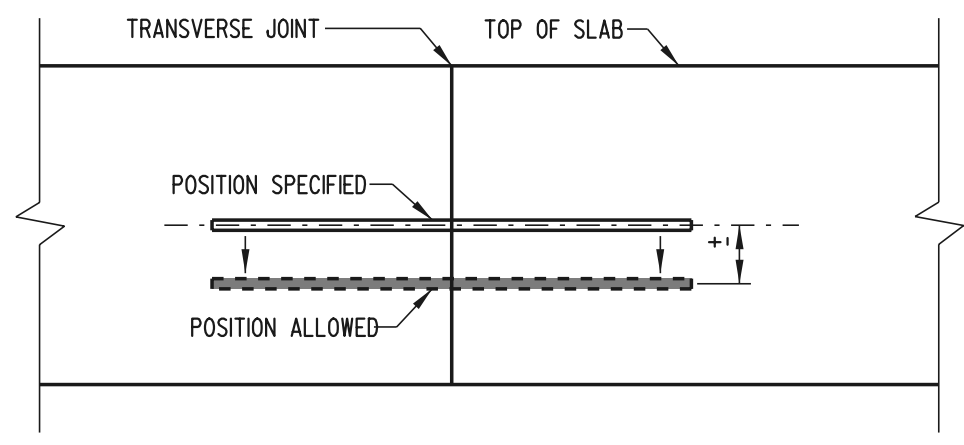
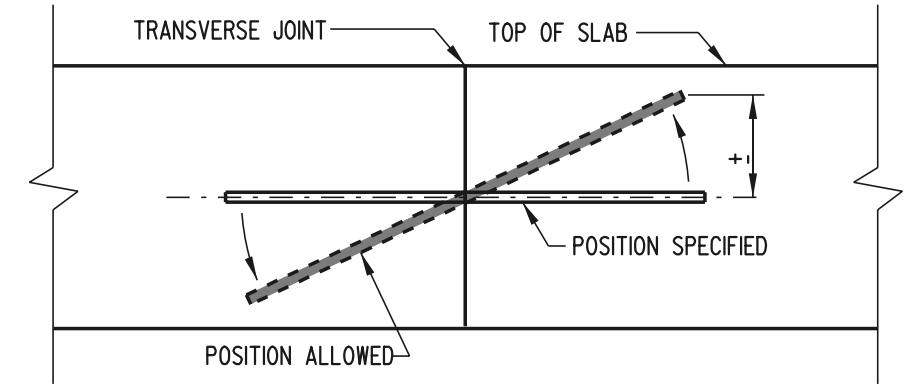


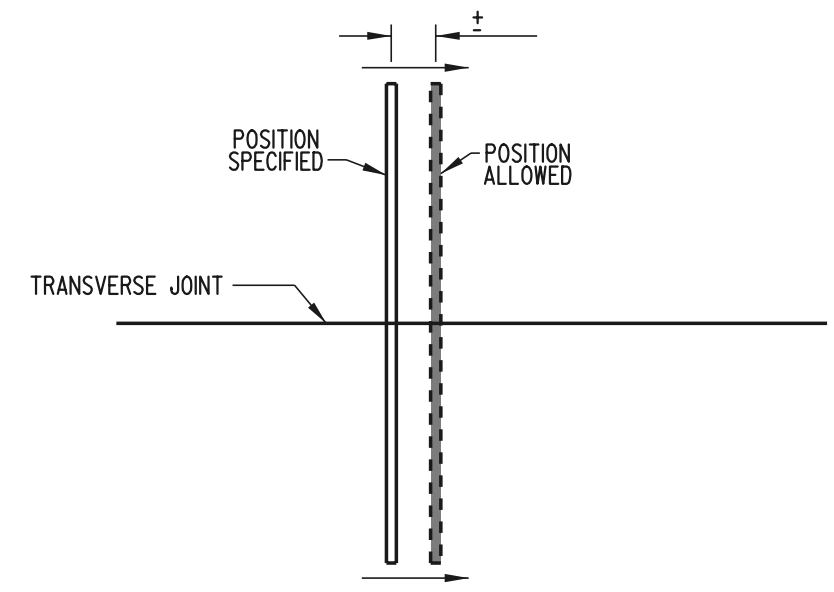
SCALE :



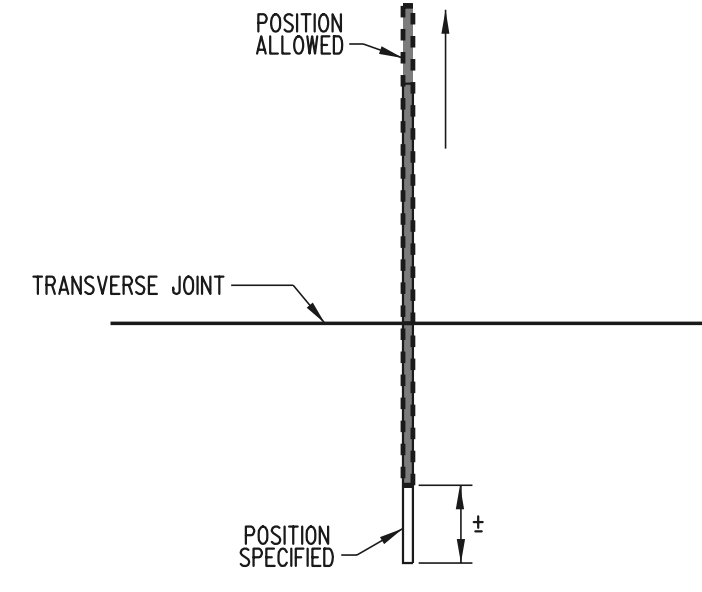
VERTICAL TRANSLATION



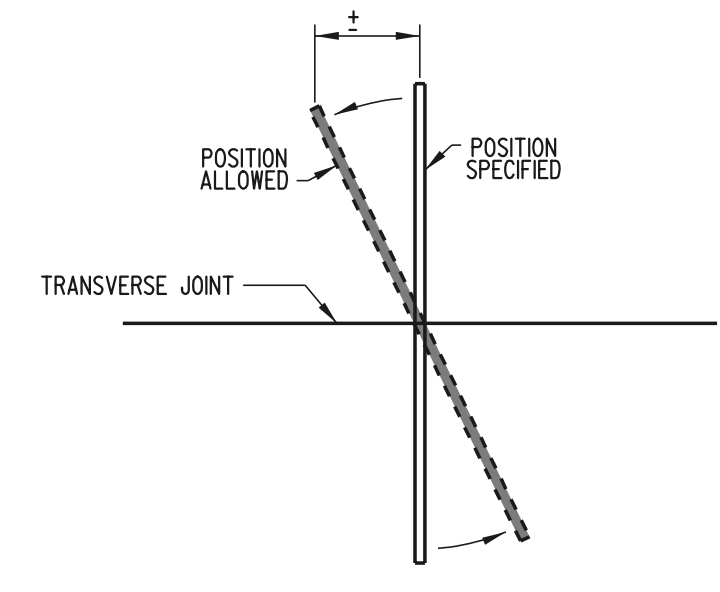
VERTICAL ROTATION



HORIZONTAL TRANSLATION




LONGITUDINAL TRANSLATION



HORIZONTAL ROTATION

DOWEL & TIE BAR PLACEMENT TOLERANCES

FULL DEPTH PATCH

 DELAWARE DEPARTMENT OF TRANSPORTATION	P.C.C. PAVEMENT PATCHING			APPROVED	_____	_____		
	STANDARD NO. P-02 (99)	SHT. 4	OF 5	CHIEF ENGINEER	_____	DATE	_____	
				RECOMMENDED	DESIGN ENGINEER	_____	DATE	_____