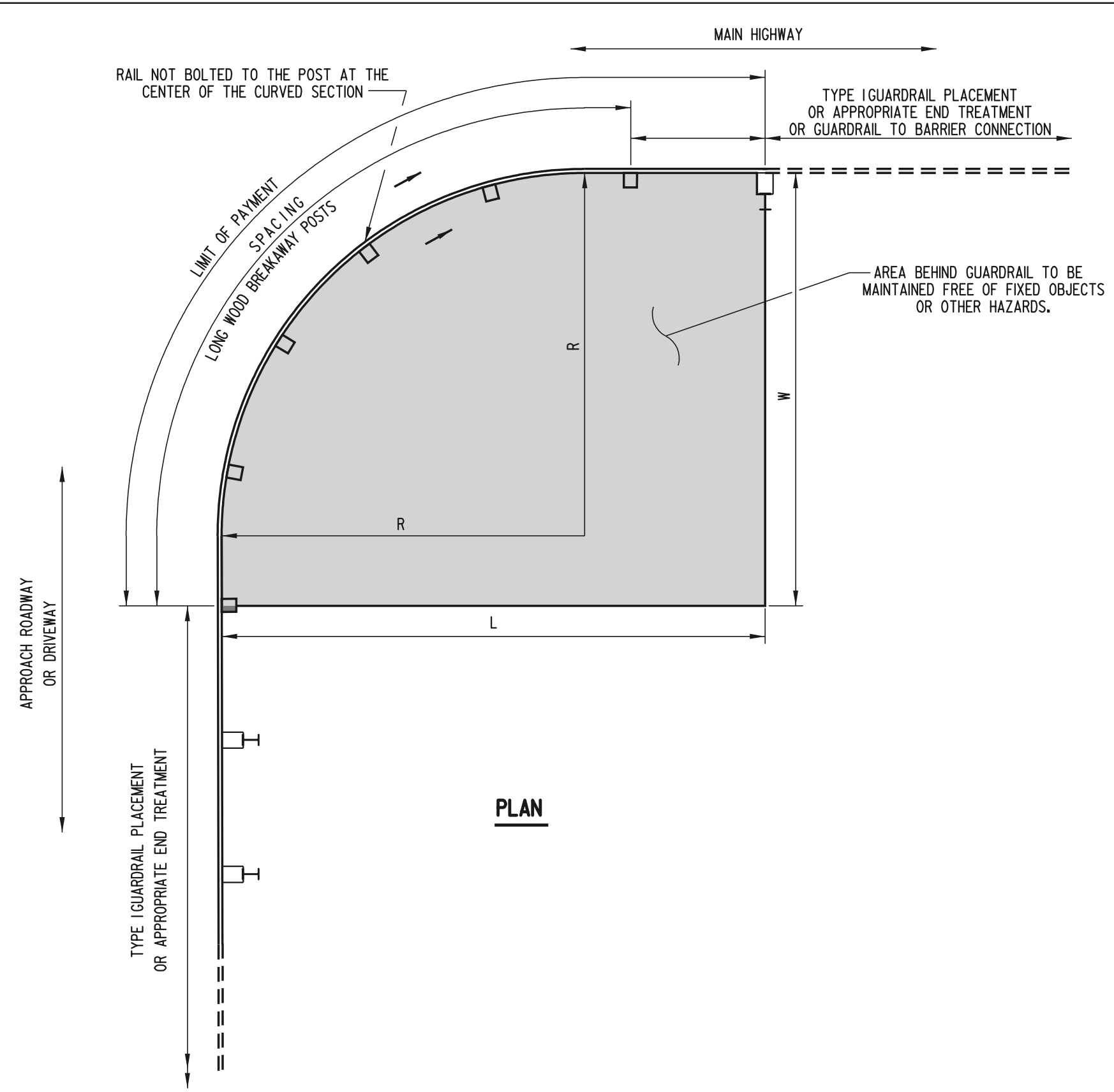
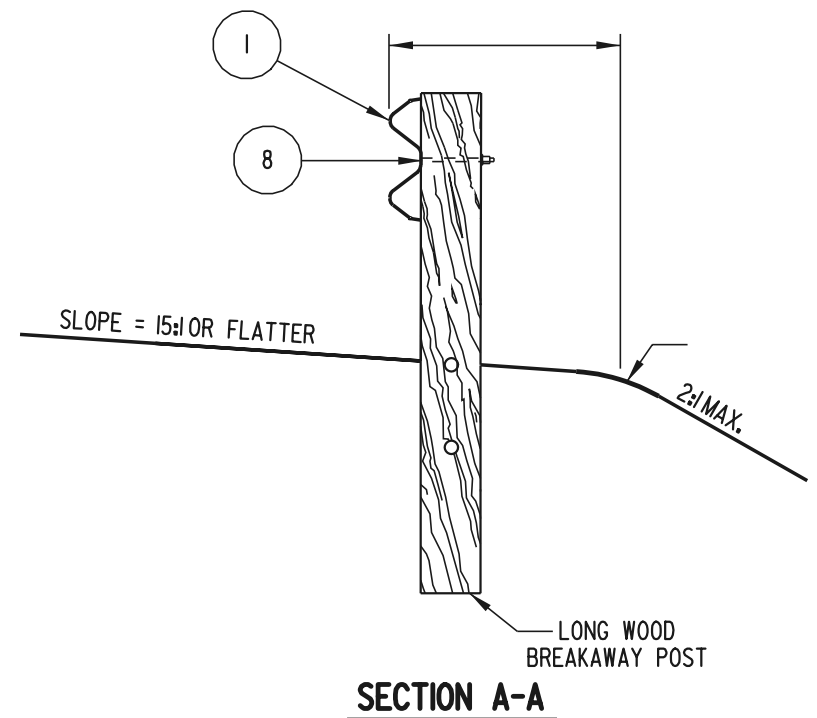


SCALE : N.T.S.

| RADIUS | MIN. REQUIRED AREA FREE OF FIXED OBJECTS |
|--------|--|
| | L x W |
| | |
| | |
| | |
| | |



PLAN



SECTION A-A

- NOTES:**
- 1). NO WASHERS ARE USED ON THE RAIL SIDE OF THE LONG WOOD BREAKAWAY POSTS.
 - 2). THE CURVED GUARDRAIL SECTION SHALL BE SHOP BENT.
 - 3). PLACE REFLECTORIZED WASHER EVERY FIFTH POST.



CURVED GUARDRAIL SECTION

STANDARD NO. B-4 (2000) **SHT. 1 OF 1**

APPROVED _____
CHIEF ENGINEER DATE

RECOMMENDED _____
DESIGN ENGINEER DATE