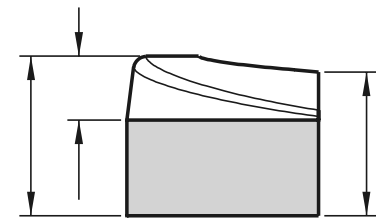
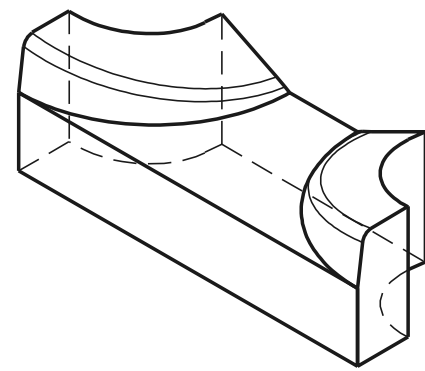


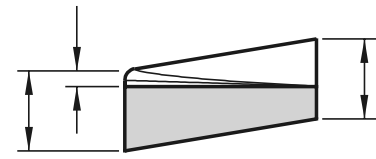
SCALE :



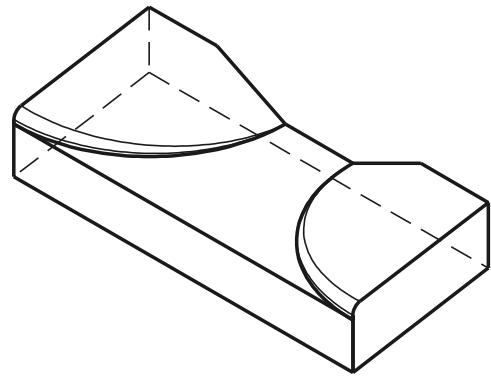
SECTION A-A



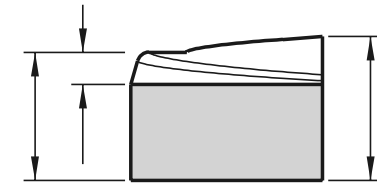
ISOMETRIC VIEW



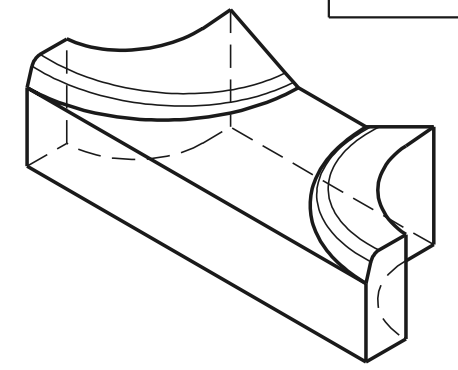
SECTION B-B



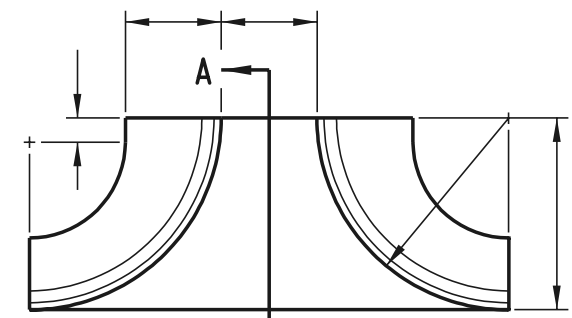
ISOMETRIC VIEW



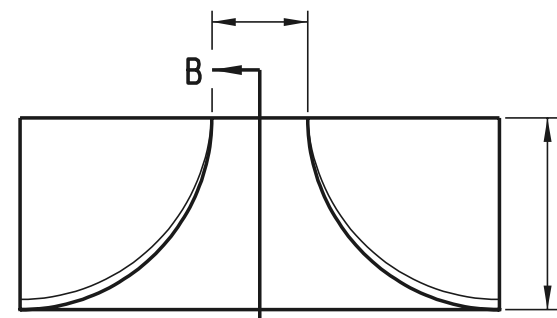
SECTION C-C



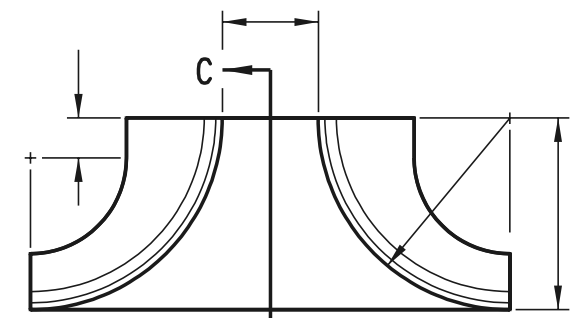
ISOMETRIC VIEW



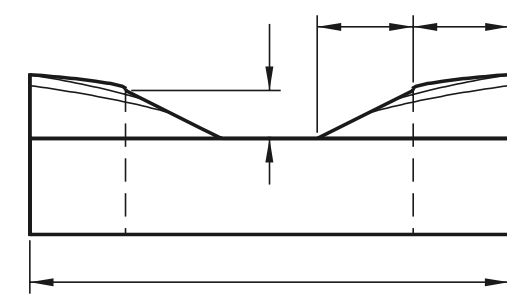
TOP VIEW



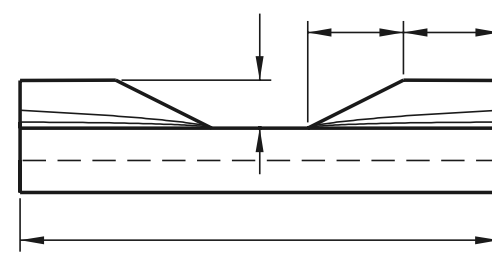
TOP VIEW



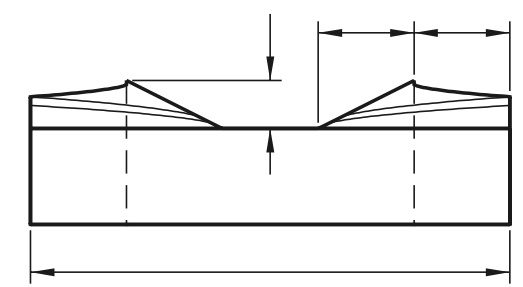
TOP VIEW



FRONT VIEW



FRONT VIEW



FRONT VIEW

TYPE A
P.C.C. CURB, TYPE 1

TYPE B
P.C.C. CURB, TYPE 2

TYPE C
P.C.C. CURB, TYPE 3



CURB OPENINGS			
STANDARD NO.	C-4 (2000)	SHT.	1 OF 3

APPROVED	_____	DATE	_____
	CHIEF ENGINEER		
RECOMMENDED	_____	DATE	_____
	DESIGN ENGINEER		