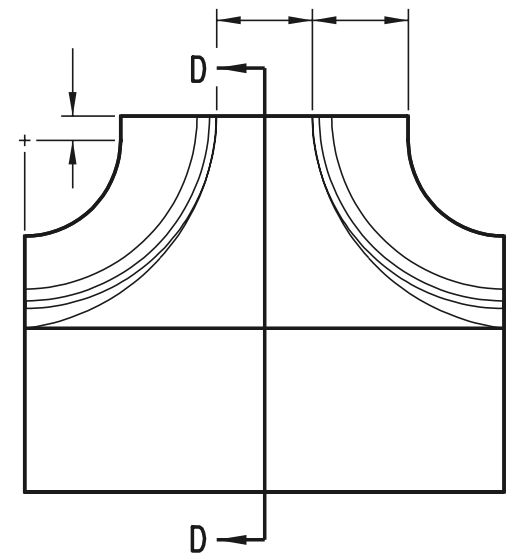
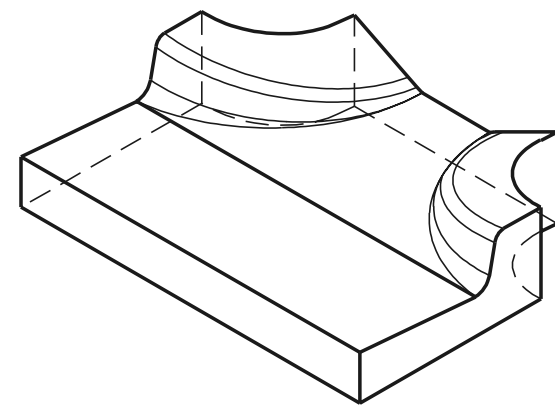


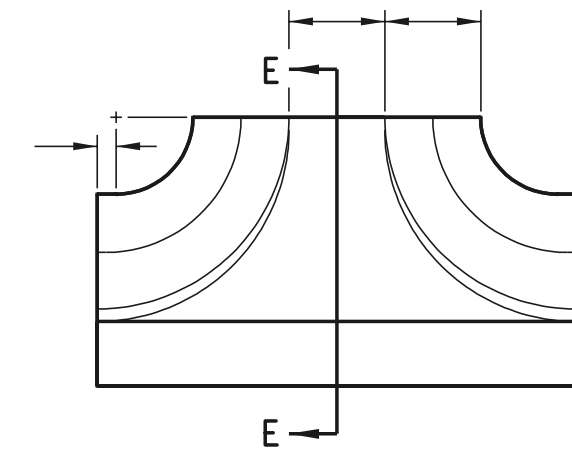
SCALE :



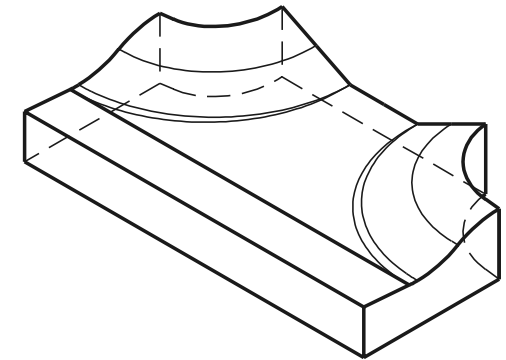
TOP VIEW



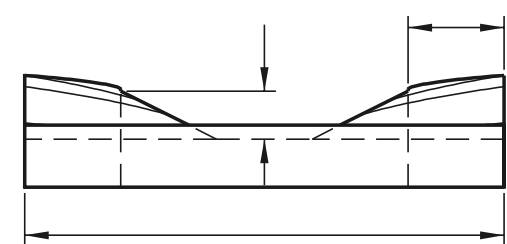
ISOMETRIC VIEW



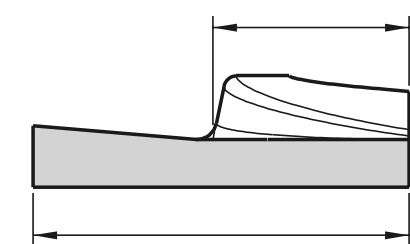
TOP VIEW



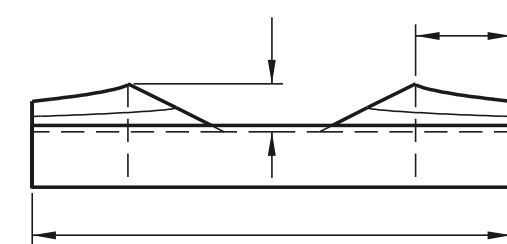
ISOMETRIC VIEW



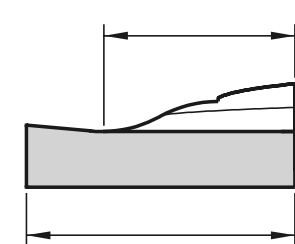
FRONT VIEW



SECTION D-D



FRONT VIEW



SECTION E-E

TYPE D  
INTEGRAL P.C.C. CURB AND GUTTER, TYPE 1

TYPE E  
INTEGRAL P.C.C. CURB AND GUTTER, TYPE 2



DELAWARE  
DEPARTMENT OF TRANSPORTATION

<b>CURB OPENINGS</b>			
STANDARD NO.	C-4 (2000)	SHT. 2	OF 3

<b>APPROVED</b>	_____	DATE	_____
	CHIEF ENGINEER		
<b>RECOMMENDED</b>	_____	DATE	_____
	DESIGN ENGINEER		