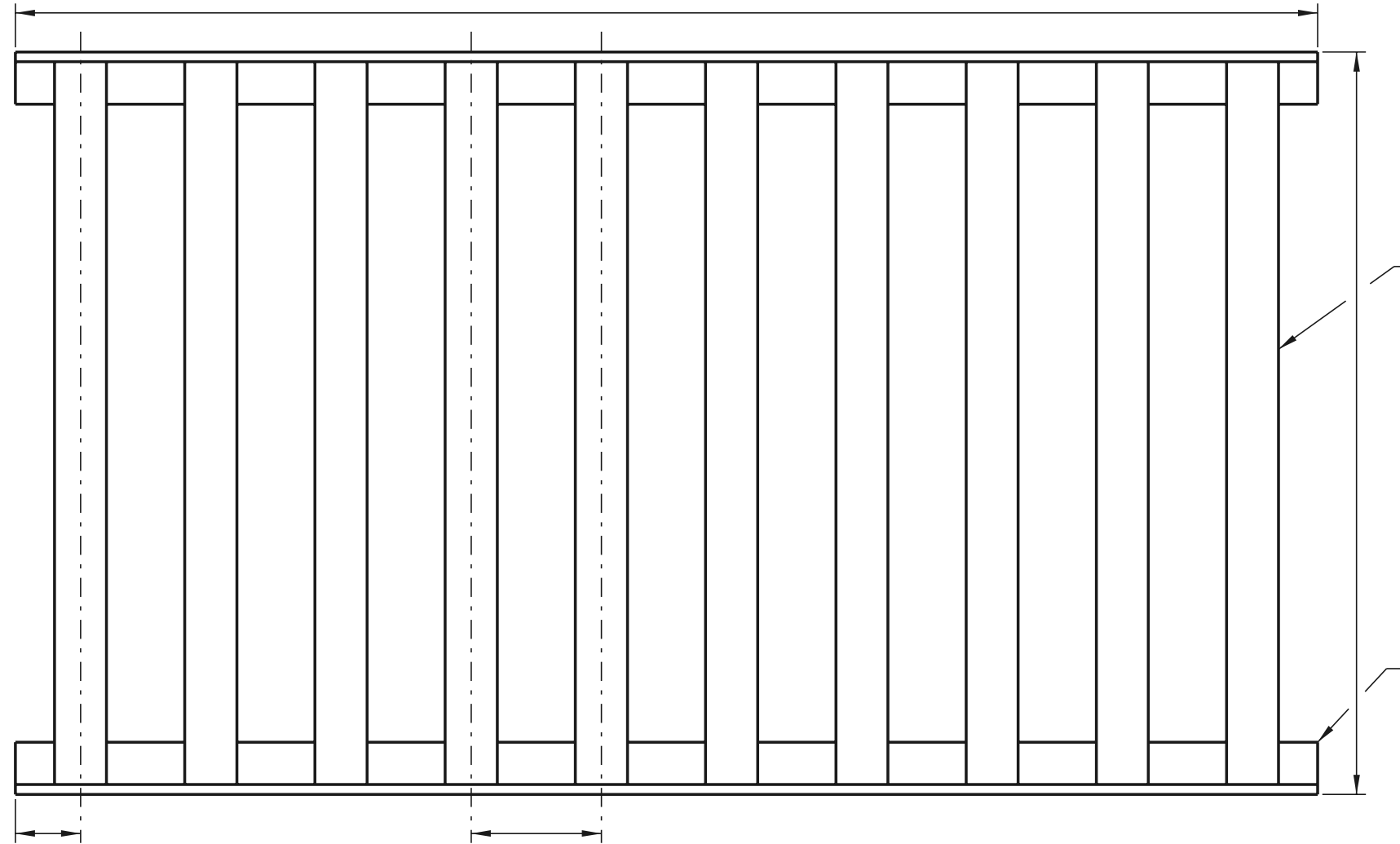
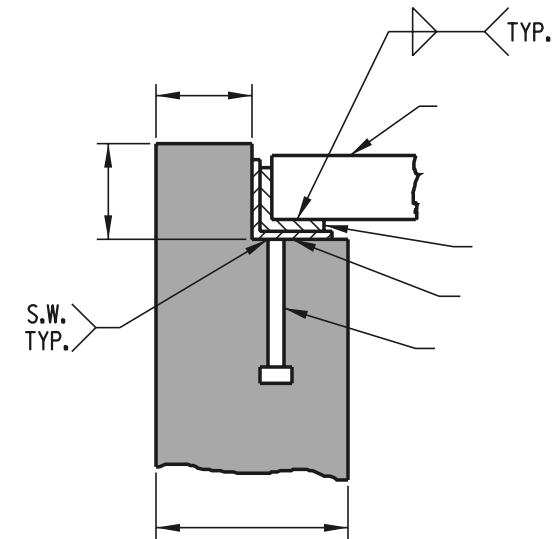


SCALE :



GRATE DETAIL



FRAME & GRATE ASSEMBLY DETAIL



DELAWARE
DEPARTMENT OF TRANSPORTATION

SAFETY END STRUCTURE GRATE

STANDARD NO. D-3 (2000)

SHT. 1 OF 1

APPROVED

CHIEF ENGINEER DATE

RECOMMENDED

DESIGN ENGINEER DATE