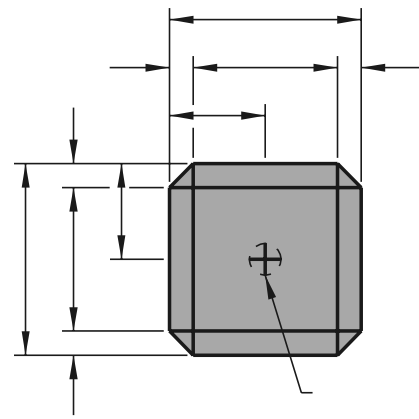
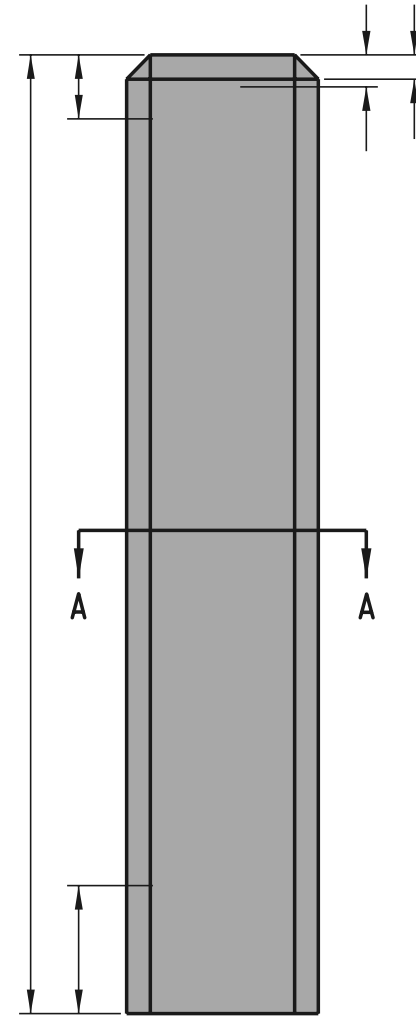


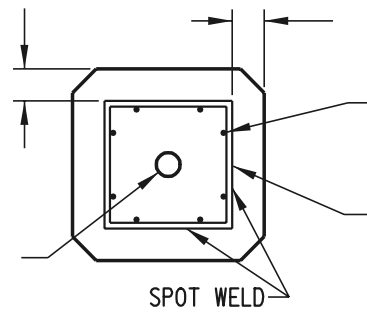
SCALE :



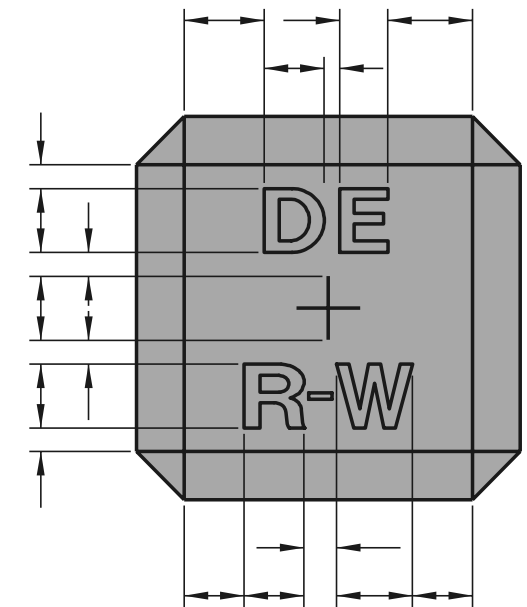
TOP



ELEVATION



SECTION A-A



TOP DETAIL

- NOTES :** 1. LONGITUDINAL STEEL SHALL BE HELD IN PLACE BY CRADLES.
 2. LETTERS AND CROSS TO BE COUNTERSUNK IN TOP OF MARKER 6 mm.



**DELAWARE
DEPARTMENT OF TRANSPORTATION**

CONCRETE MONUMENT

STANDARD NO. M-2 (2000)

SHT. 1 OF 1

APPROVED

CHIEF ENGINEER _____ DATE _____

RECOMMENDED

DESIGN ENGINEER _____ DATE _____