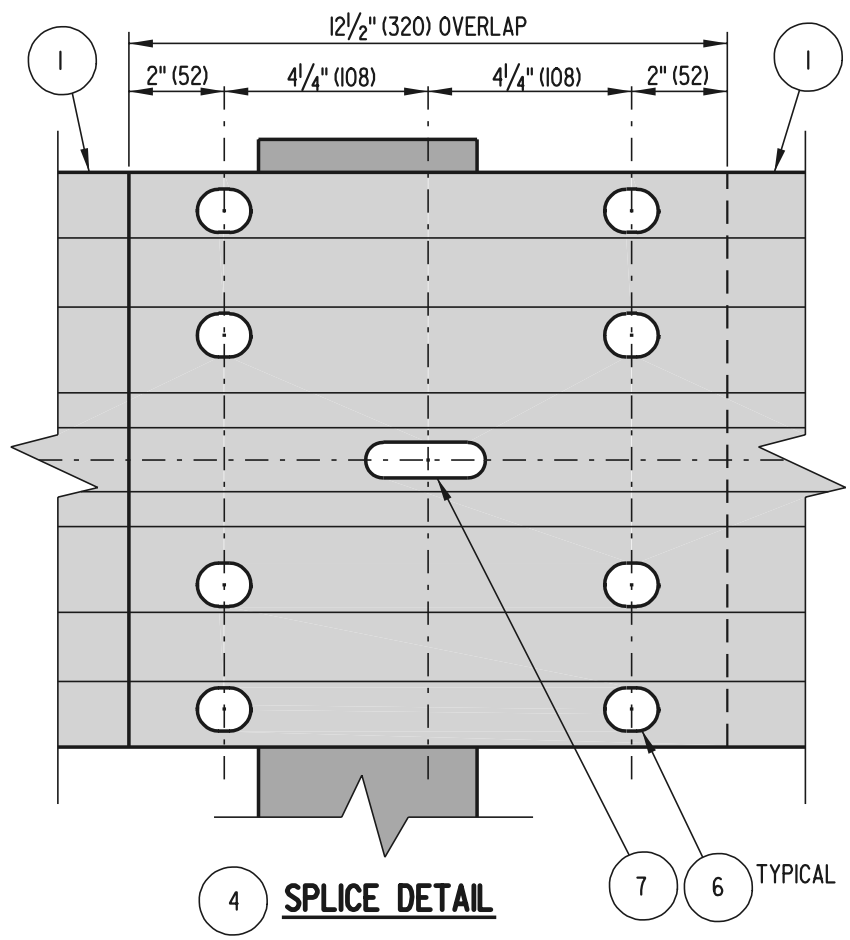
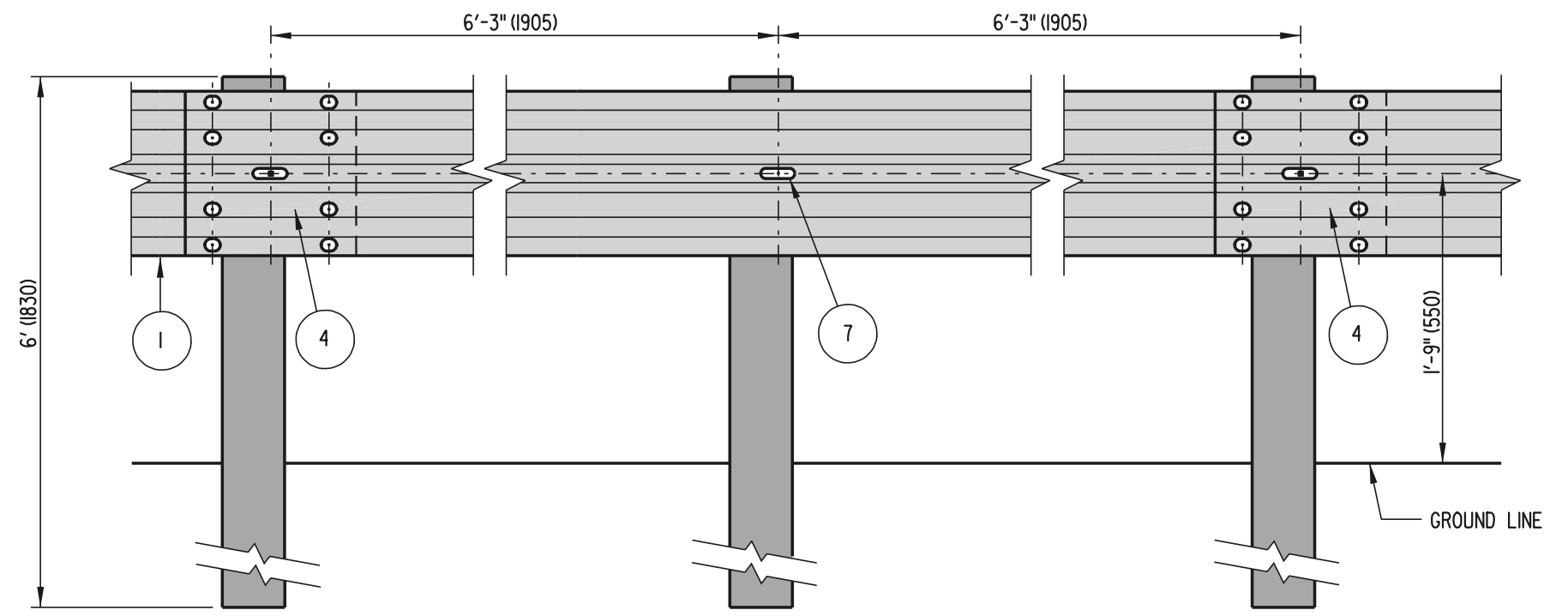


**TYPE 2**



**4 SPLICE DETAIL**



**TYPE 10R 3**

NOTES : 1). OVERLAP W-BEAMS IN DIRECTION OF TRAVEL.  
 2). PLACE REFLECTORIZED WASHER EVERY FIFTH POST.