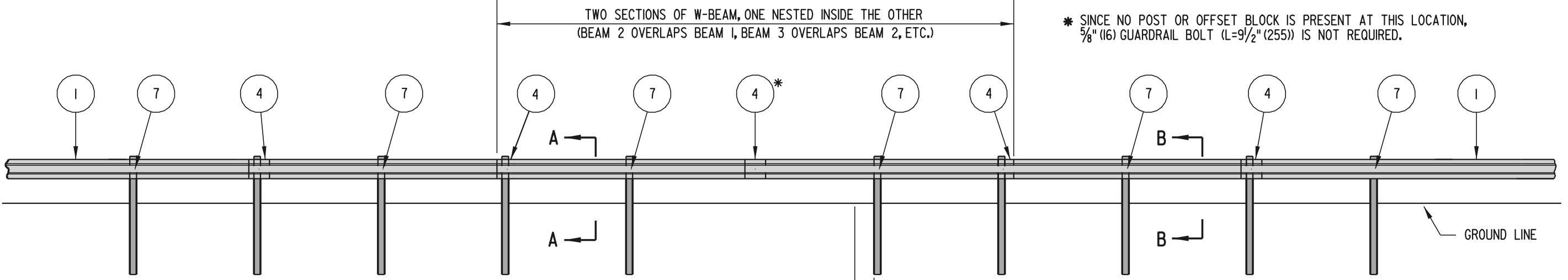
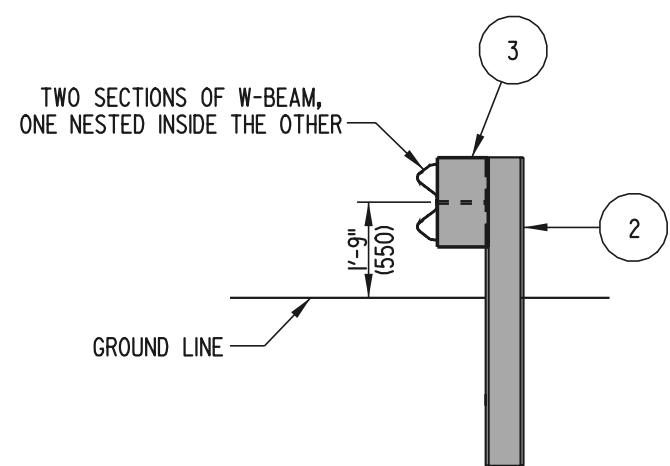


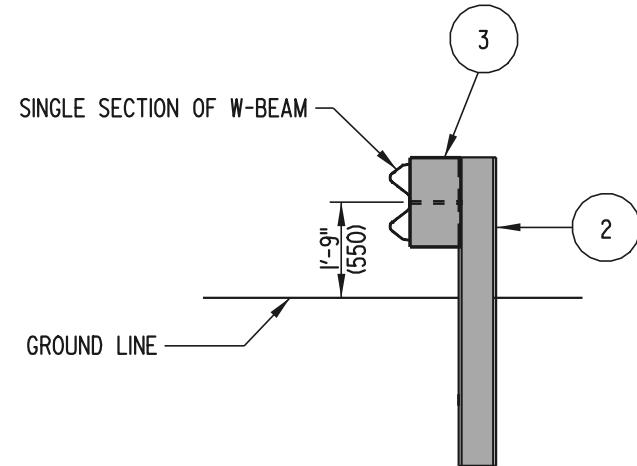
PLAN



ELEVATION



SECTION A-A



SECTION B-B

NOTES : 1). ALL W-BEAMS ARE 26'-1/2" (7940) IN LENGTH. ADDITIONAL HOLES FOR SPLICES SHALL BE DRILLED PRIOR TO GALVANIZING.
 2). PLACE REFLECTORIZED WASHER EVERY FIFTH POST.



GUARDRAIL OVER CULVERTS, TYPE 1			
STANDARD NO.	B-2 (2001)	SHT.	1 OF 1

APPROVED *Ryan M. Harshbarger* 6/18/01
CHIEF ENGINEER DATE

RECOMMENDED *Mehal Akhavan* 6/18/01
DESIGN ENGINEER DATE