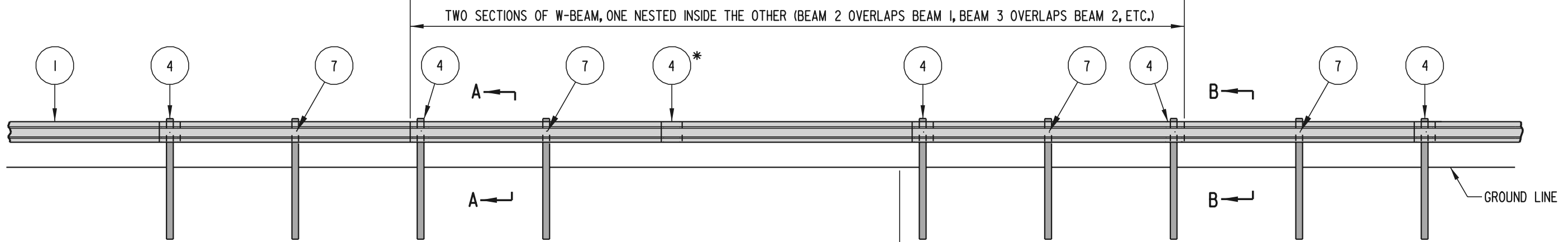
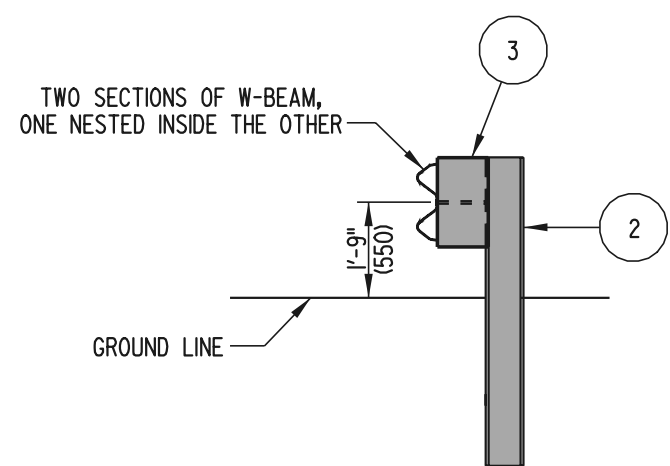


PLAN

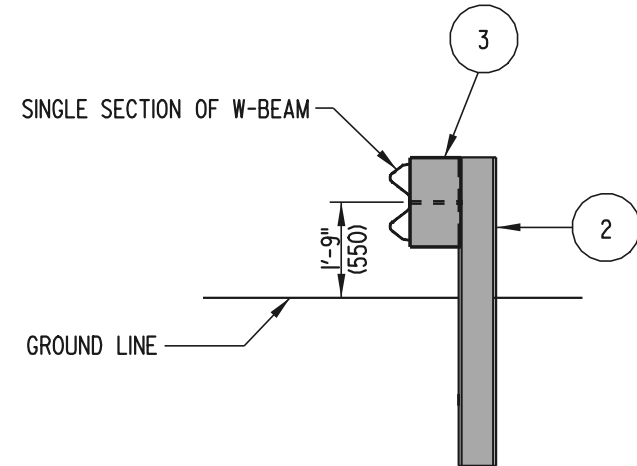
* SINCE NO POST OR OFFSET BLOCK IS PRESENT AT THIS LOCATION, 5/8" (16) GUARDRAIL BOLT (L=9 1/2" (255)) IS NOT REQUIRED.



ELEVATION



SECTION A-A



SECTION B-B

NOTES : 1). ALL W-BEAMS ARE 26'-1/2" (7940) IN LENGTH. ADDITIONAL HOLES FOR SPLICES SHALL BE DRILLED PRIOR TO GALVANIZING.
2). PLACE REFLECTORIZED WASHER EVERY FIFTH POST.