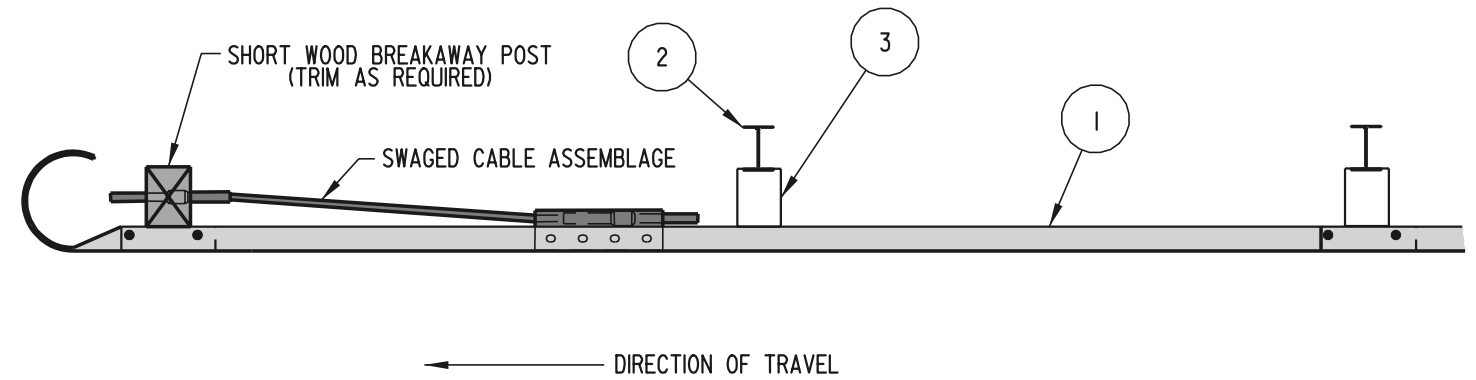
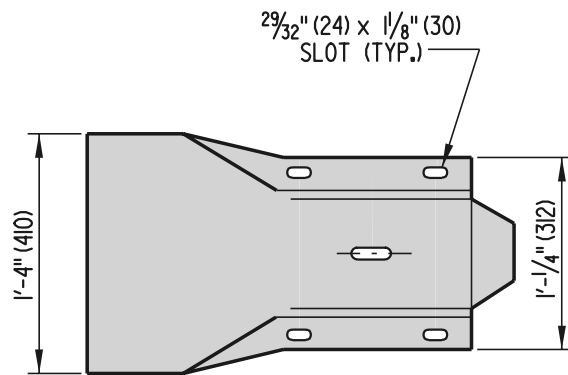


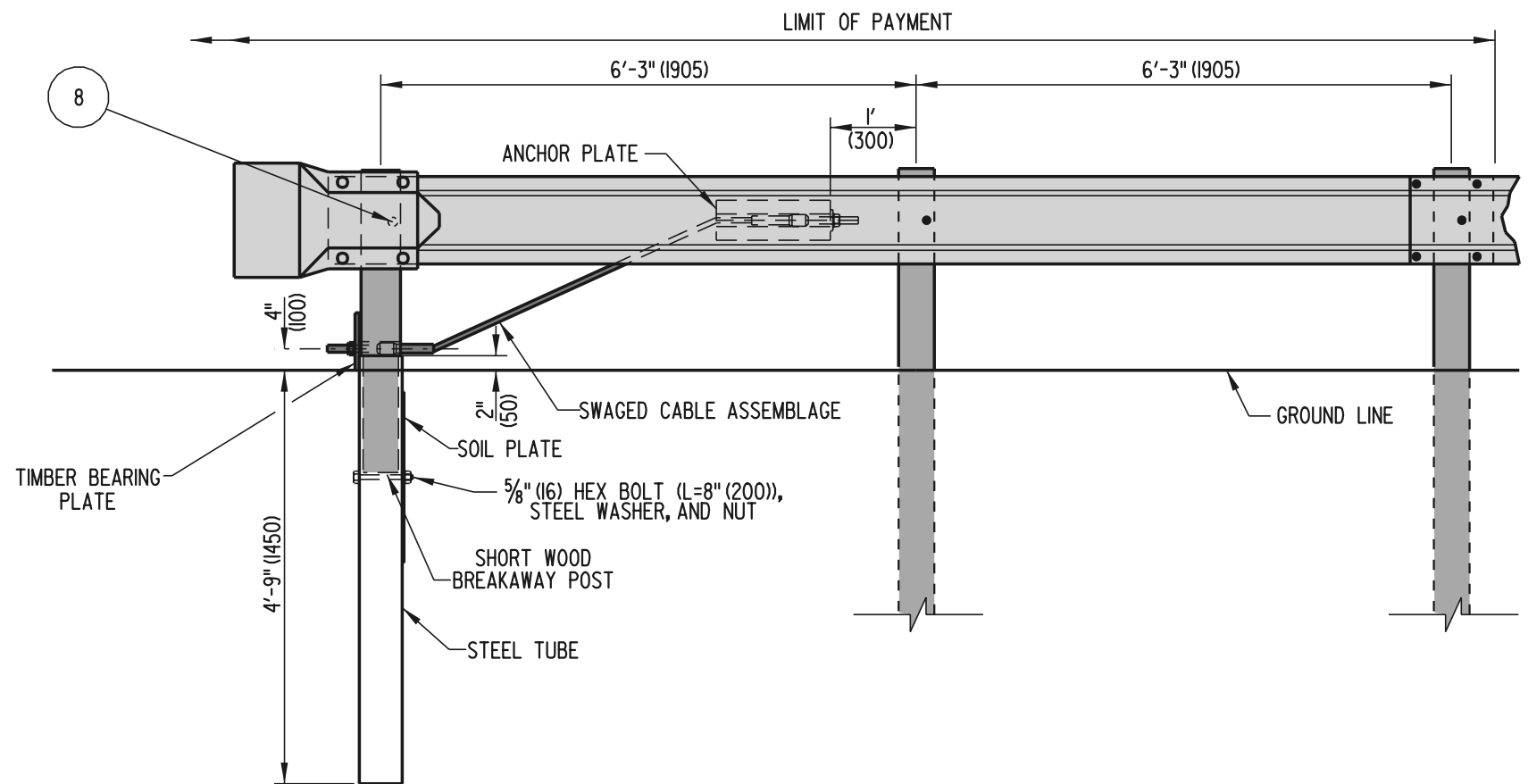
END SECTION PLAN



PLAN



END SECTION ELEVATION



ELEVATION

NOTE: ADDITIONAL HOLES FOR ANCHOR PLATE SHALL BE DRILLED PRIOR TO GALVANIZING. (SEE STANDARD HARDWARE SHEET FOR HOLE SPACING INFORMATION).



**DELAWARE
DEPARTMENT OF TRANSPORTATION**

END ANCHORAGE

STANDARD NO. **B-5 (2001)** SHT. **1** OF **1**

APPROVED *Ryan M. Harshbarger* 6/18/01
CHIEF ENGINEER DATE
 RECOMMENDED *Mehal Alghobari* 6/18/01
DESIGN ENGINEER DATE