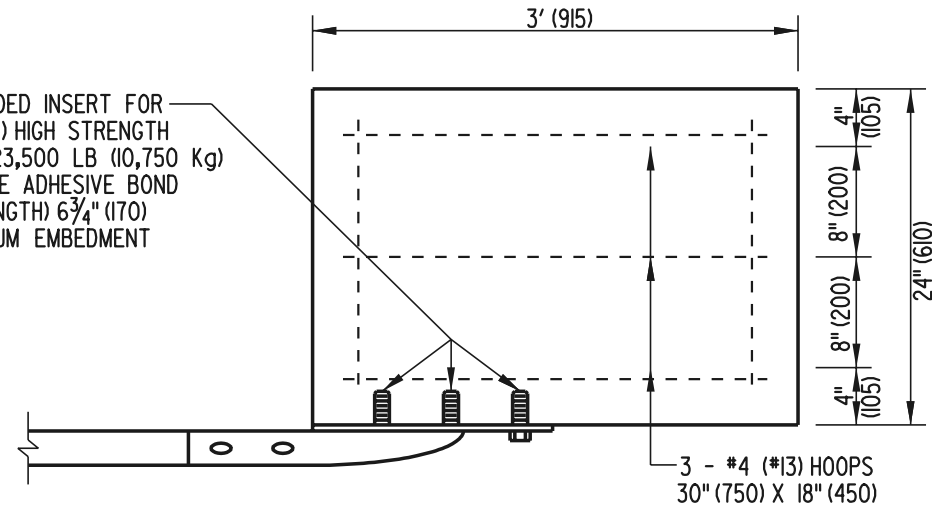
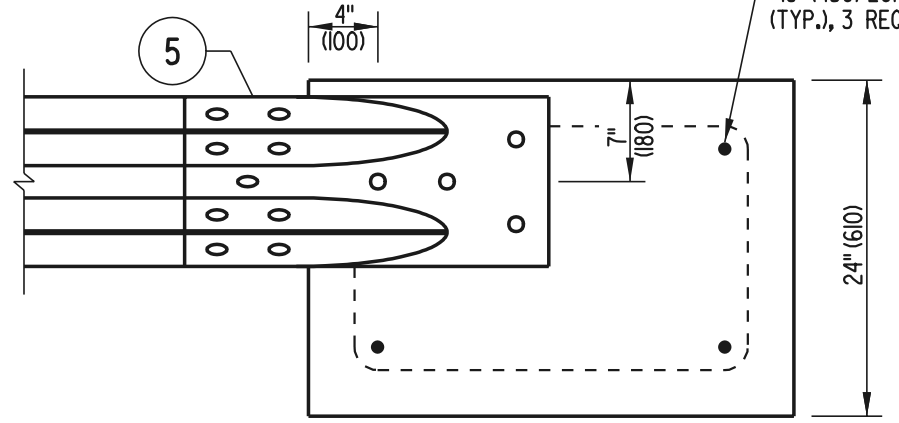


STEEL PLATE - 1/2" (#13) GALVANIZED

THREADED INSERT FOR 1 5/16" (24) HIGH STRENGTH HEX BOLT (23,500 LB (10,750 Kg) ULTIMATE ADHESIVE BOND STRENGTH) 6 3/4" (170) MINIMUM EMBEDMENT

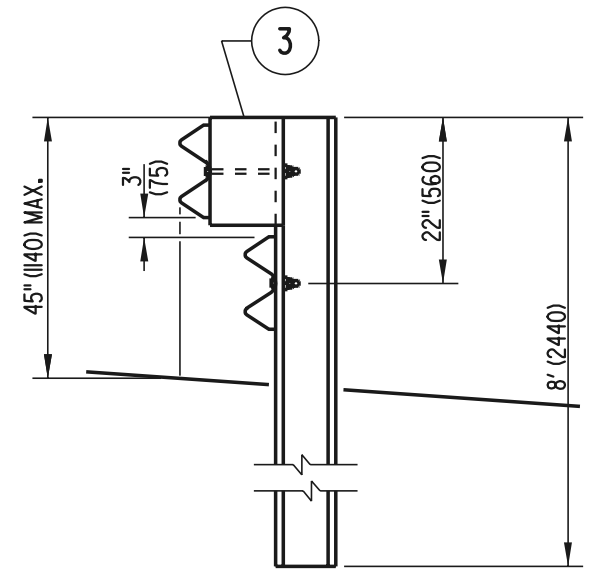


PLAN

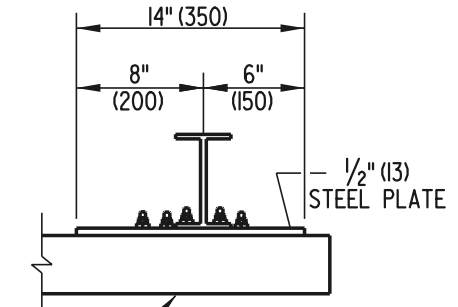


ELEVATION

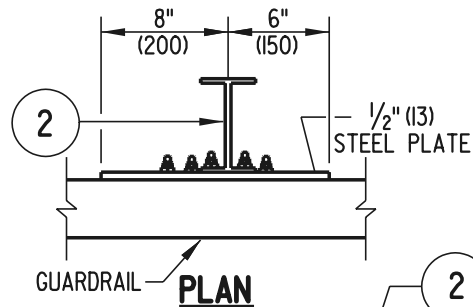
CONCRETE BLOCK ANCHOR



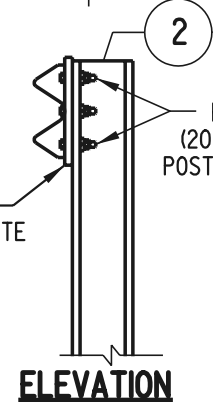
TYPICAL ELEVATION WITH RUBRAIL



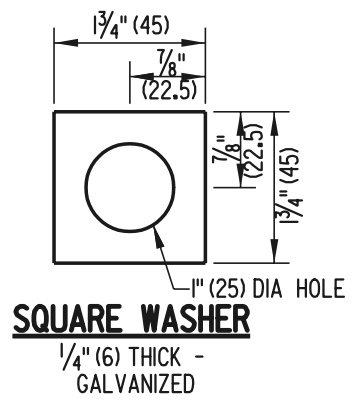
PARTIAL PLAN



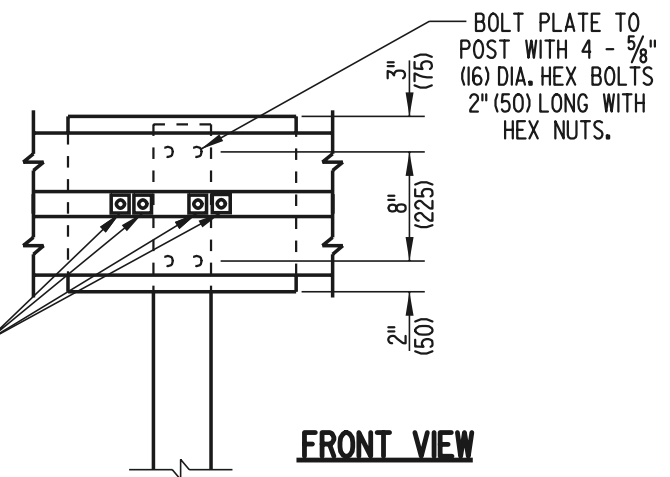
PLAN



ELEVATION



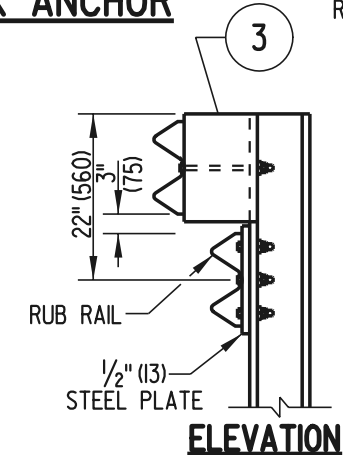
SQUARE WASHER



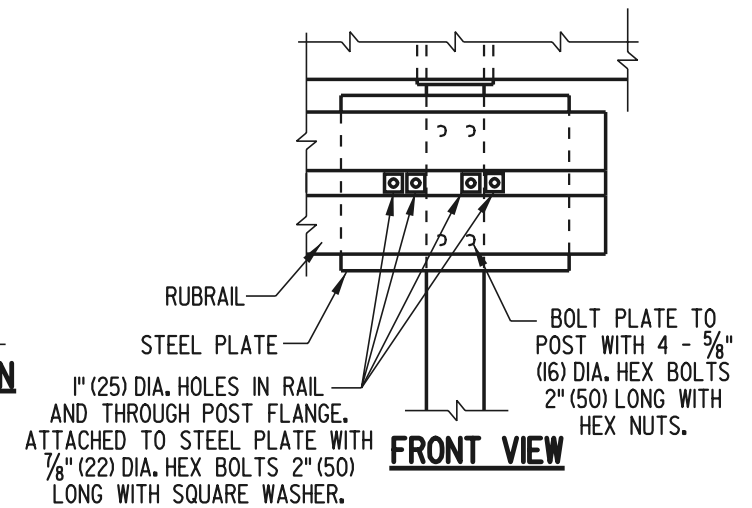
FRONT VIEW

POST ANCHOR DETAIL

1" (25) DIA. HOLES IN RAIL AND THROUGH POST FLANGE FOR 3RD BOLT. ATTACHED TO STEEL PLATE WITH 7/8" (22) DIA. HEX BOLTS 2" (50) LONG WITH SQUARE WASHER.



ELEVATION



FRONT VIEW

RUBRAIL ANCHOR ATTACHMENT

NOTE: ALL HOLES TO BE DRILLED PRIOR TO GALVANIZING.



STANDARD NO. B-6 (2001)		SHT. 2 OF 2	
-------------------------	--	-------------	--

APPROVED	<i>Ryan M. Harshbarger</i> CHIEF ENGINEER	6/18/01
RECOMMENDED	<i>Michael P. [Signature]</i> DESIGN ENGINEER	6/18/01