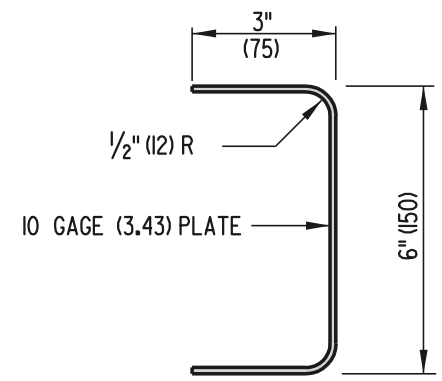
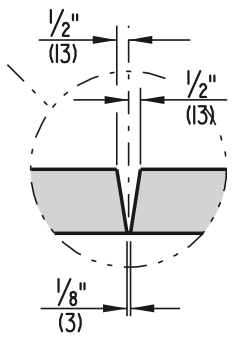


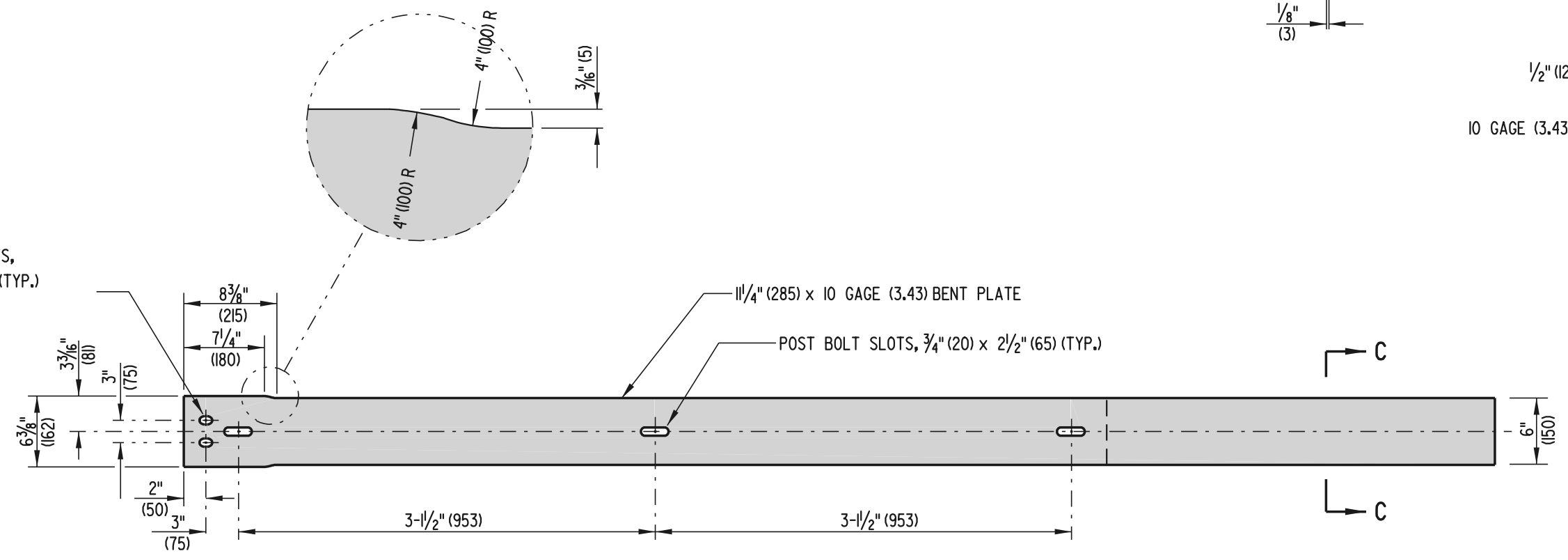
CUT FLANGE, BEND AND WELD

**PLAN**




**SECTION C-C**

SPLICE BOLT SLOTS,  
3/4" (20) x 1/8" (30) (TYP.)



**ELEVATION**

**BENT PLATE RUB RAIL**

 <b>DELAWARE</b> DEPARTMENT OF TRANSPORTATION	<b>GUARDRAIL TO BARRIER CONNECTION, APPROACH TYPE 1</b>		<b>APPROVED</b> <i>Ryan M. Harshbarger</i> <b>6/18/01</b> <small>CHIEF ENGINEER DATE</small>
	STANDARD NO. <b>B-7 (2001)</b>	SHT. <b>3</b> OF <b>3</b>	<b>RECOMMENDED</b> <i>Mehal Alghobari</i> <b>6/18/01</b> <small>DESIGN ENGINEER DATE</small>