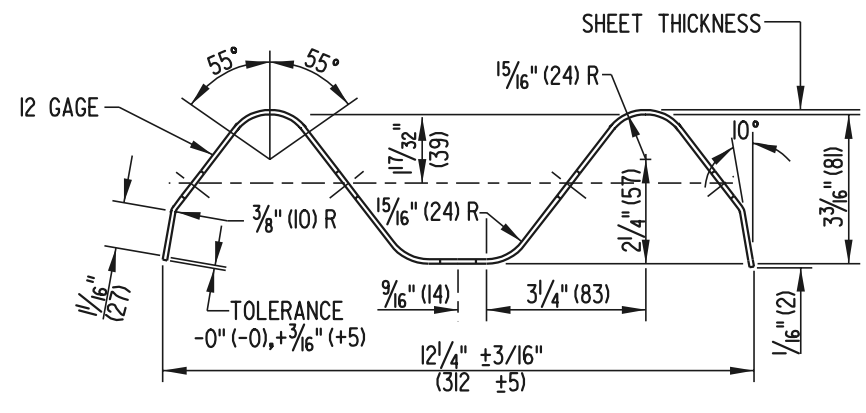
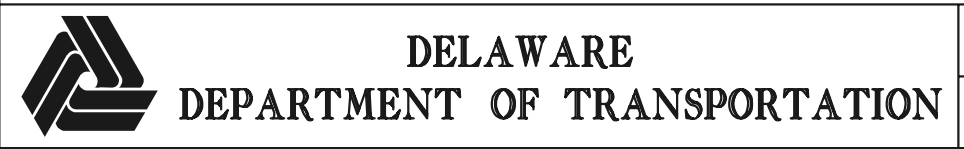


W-BEAM ELEVATION



W-BEAM SECTION

NOTES: 1). TWO ADDITIONAL 3/4" (20) x 2 1/2" (65) SLOTS SHALL BE PROVIDED AT 6'-3" (1905) SPACING FOR BEAM LENGTH OF 26'-1/2" (7940).
 2). PLACE REFLECTORIZED WASHERS EVERY FIFTH POST.



HARDWARE	
STANDARD NO. B-13 (2001)	SHT. 1 OF 12

APPROVED *Ryan M. Harkness* **6/18/01**
CHIEF ENGINEER DATE
RECOMMENDED *Mehal Alghob* **6/18/01**
DESIGN ENGINEER DATE