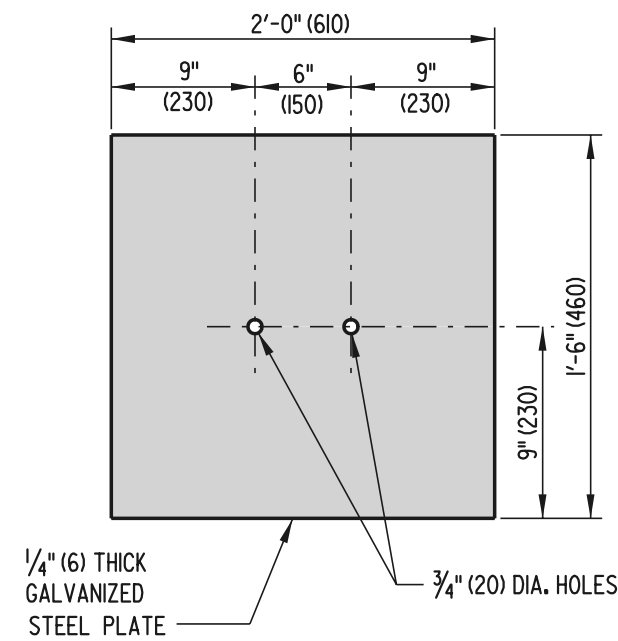
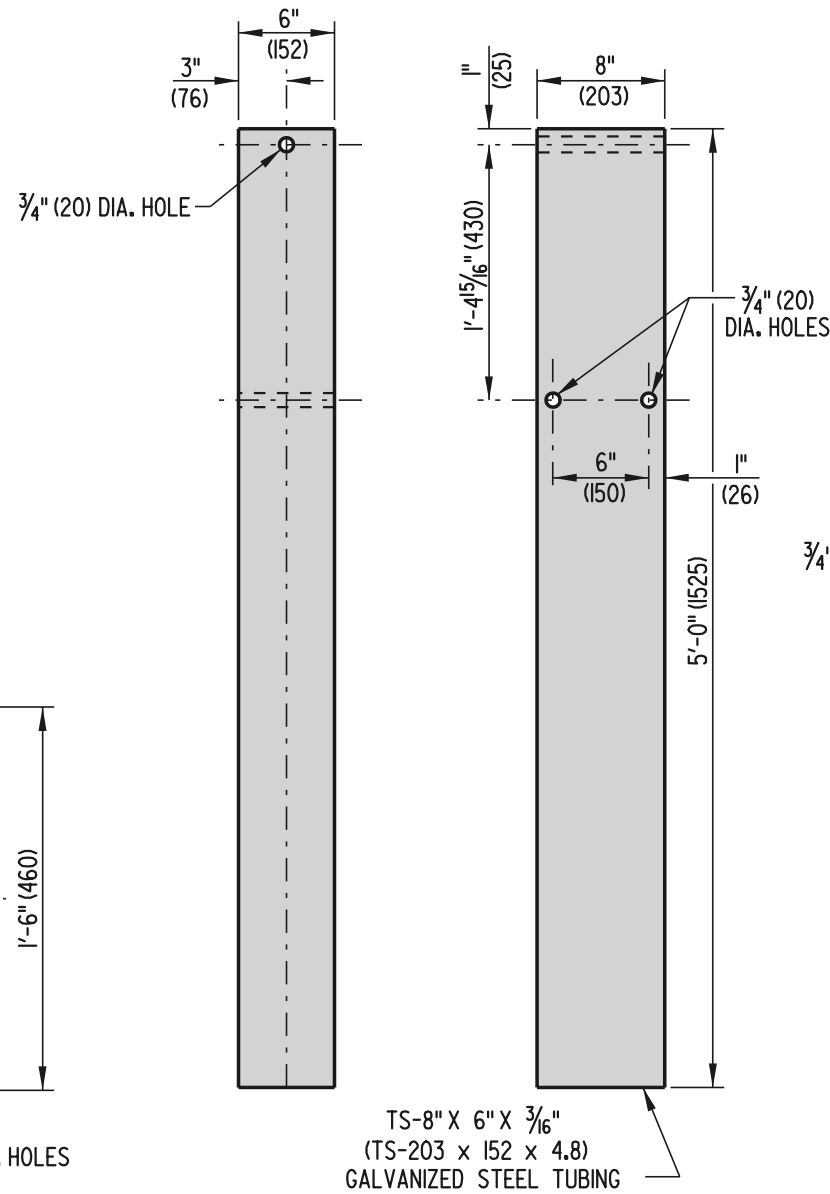


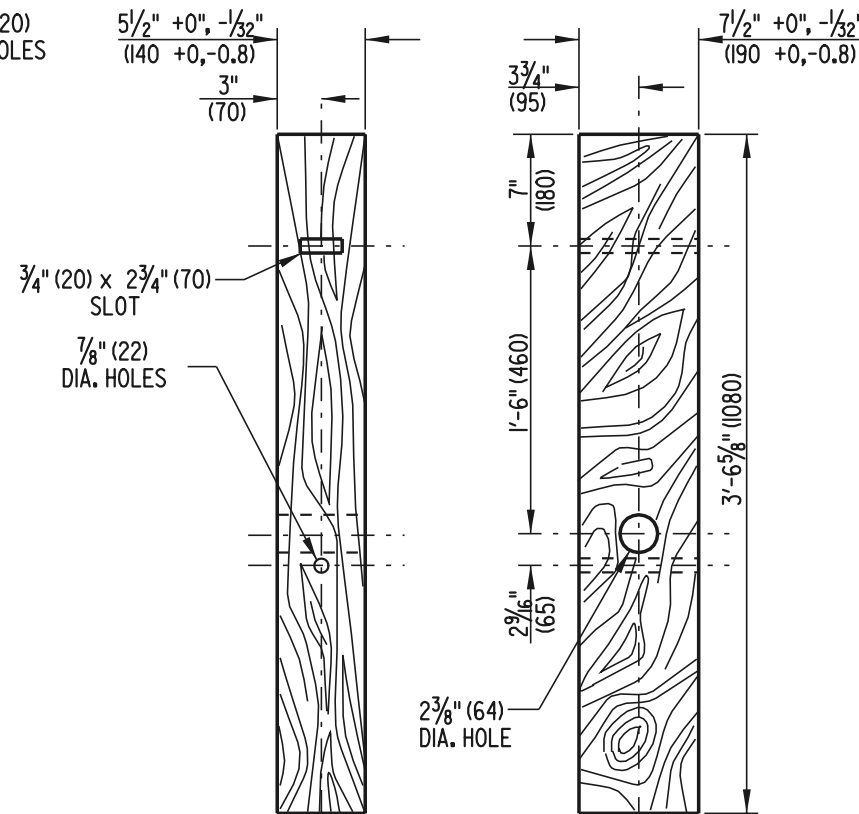
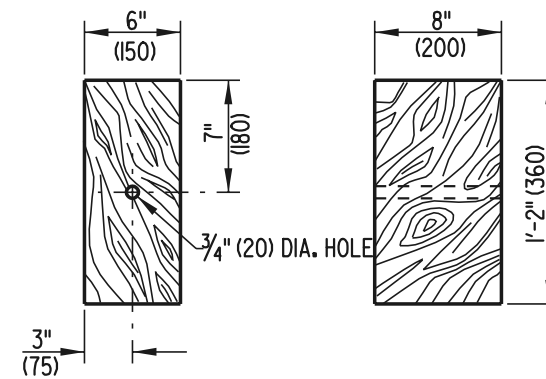
NOTES : 1). ALL HOLES SHALL BE DRILLED PRIOR TO GALVANIZING.
 2). ALL WOOD SIZES ARE NOMINAL DIMENSIONS.



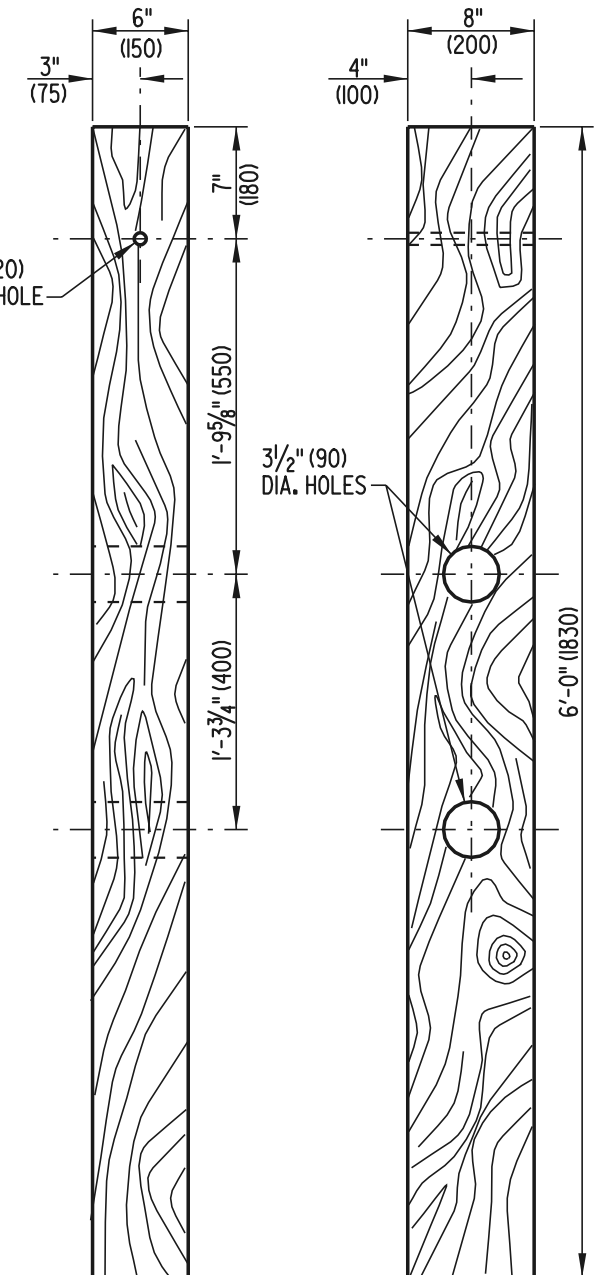
SOIL PLATE



STEEL TUBE



SHORT WOOD BREAKAWAY POST



LONG WOOD BREAKAWAY POST



DELAWARE
 DEPARTMENT OF TRANSPORTATION

HARDWARE

STANDARD NO. B-13 (2001)

SHT. 7 OF 12

APPROVED *Ryan M. Harshbarger* 6/18/01
 CHIEF ENGINEER DATE
 RECOMMENDED *Mehal Alghamdi* 6/18/01
 DESIGN ENGINEER DATE