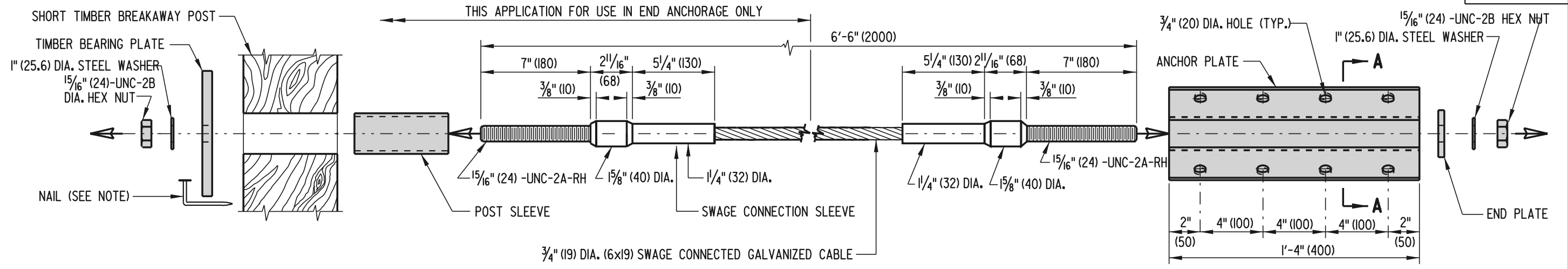
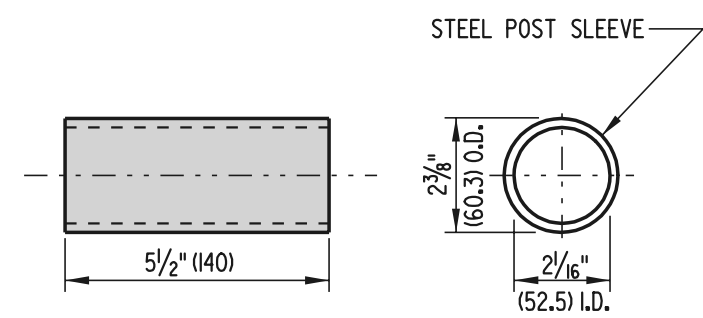


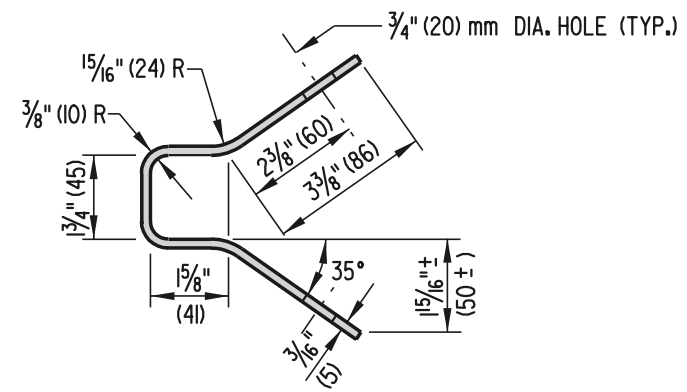
SCALE : N.T.S.



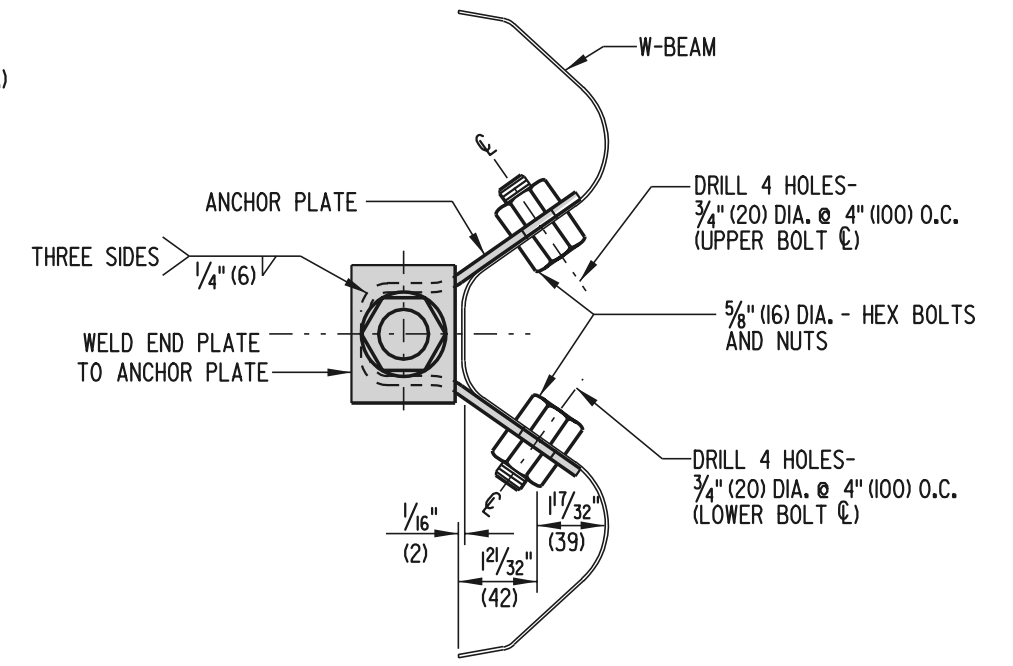
SWAGED CABLE ASSEMBLY AND RELATED HARDWARE ASSEMBLY



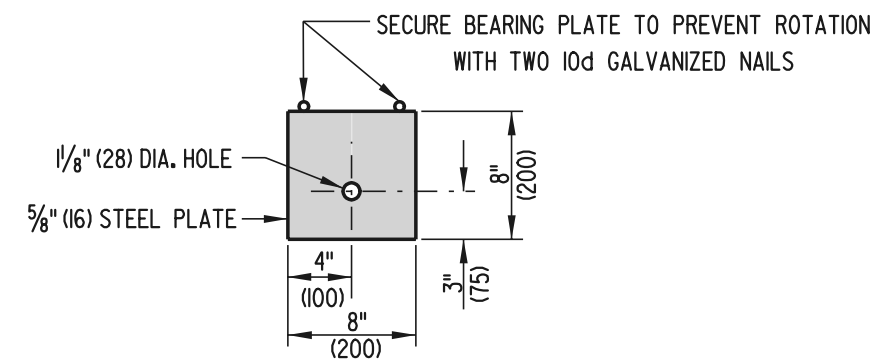
POST SLEEVE



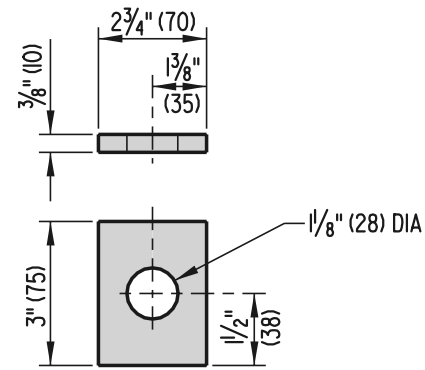
SECTION A-A



ANCHOR PLATE TO W-BEAM CONNECTION DETAIL



TIMBER BEARING PLATE



END PLATE

- NOTES:**
- 1). TO ENSURE THAT THE TIMBER BEARING PLATE REMAINS IN POSITION, TWO TEN PENNY GALVANIZED STEEL NAILS SHALL BE DRIVEN IN THE SHORT TIMBER BREAKAWAY POST, AND BENT OVER BEARING PLATE.
 - 2). TIGHTEN ASSEMBLY UNTIL CABLE IS TAUGHT.
 - 3). ALL HOLES SHALL BE DRILLED PRIOR TO GALVANIZING.