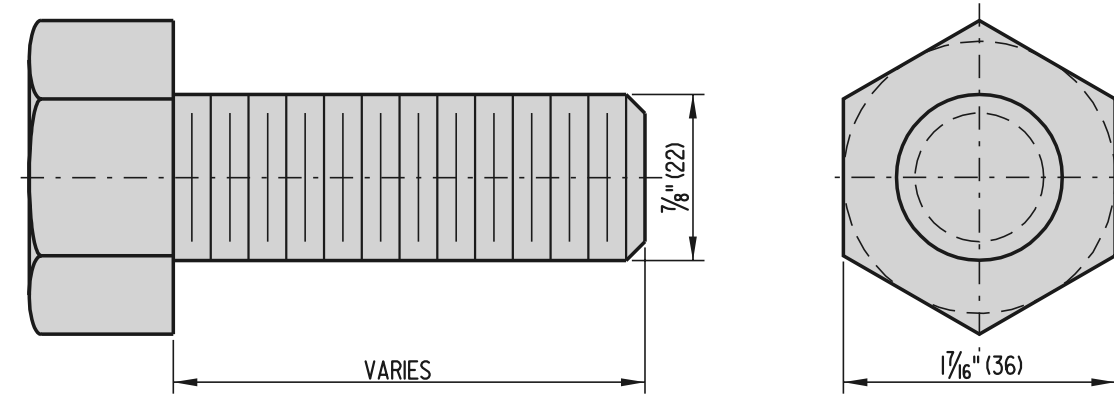
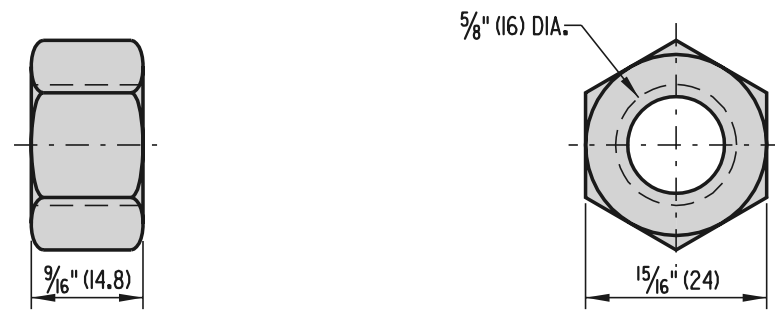


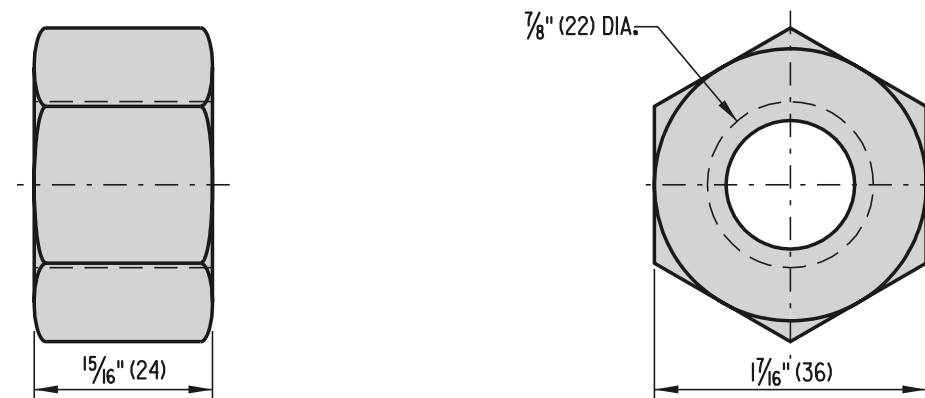
**5/8" (16) HEX BOLT**



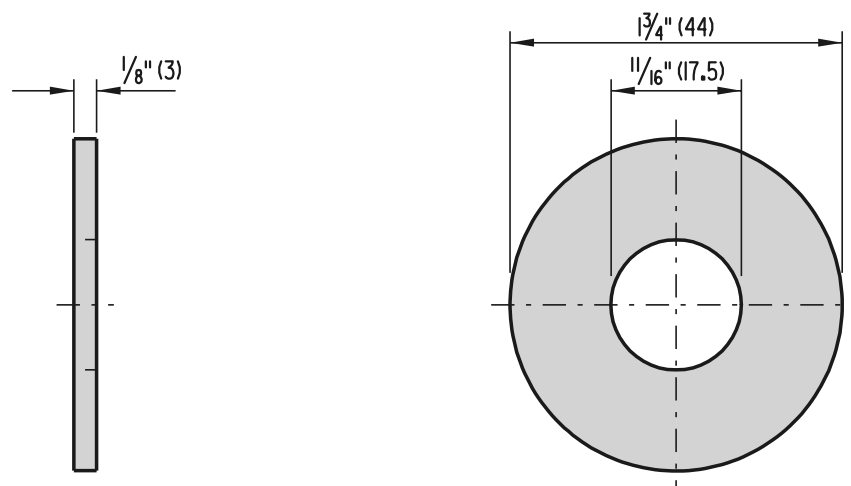
**HIGH-STRENGTH STRUCTURAL HEX BOLT**



**5/8" (16) HEX NUT**



**HIGH-STRENGTH STRUCTURAL HEX NUT**



**5/8" (16) STEEL WASHER**

NOTE : DIMENSION FOR WASHER THICKNESS IS APPROXIMATE BASE METAL THICKNESS.



**DELAWARE  
DEPARTMENT OF TRANSPORTATION**

**HARDWARE**

STANDARD NO. **B-13 (2001)**

SHT. **11** OF **12**

APPROVED *Ryan M. Harshbarger* **6/18/01**  
CHIEF ENGINEER DATE

RECOMMENDED *Mehal Alghobari* **6/18/01**  
DESIGN ENGINEER DATE