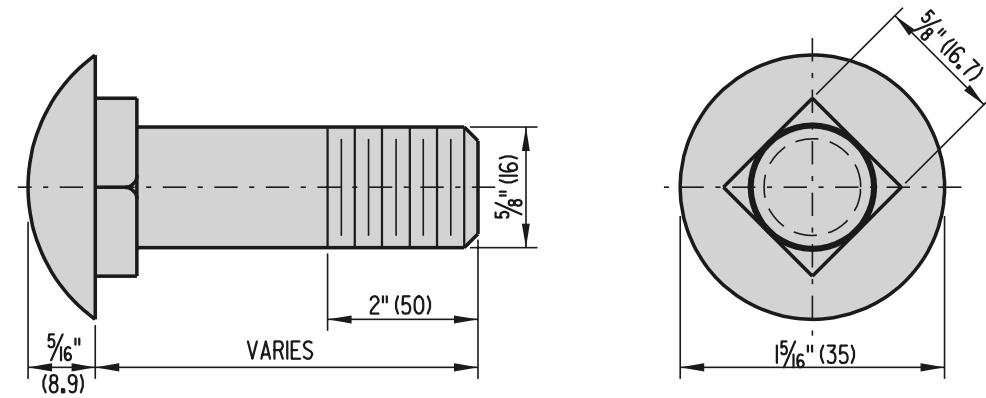
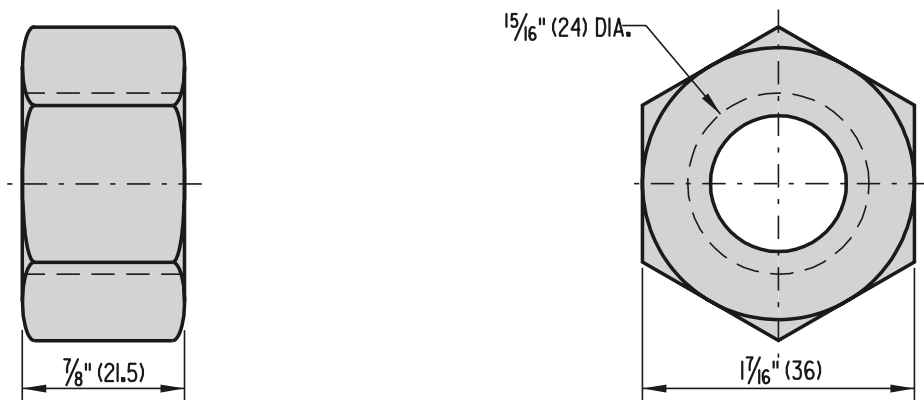


STEEL WASHER

NOTES : 1. FOR USE WITH SWAGED CABLE ASSEMBLAGE.
2. DIMENSION FOR WASHER THICKNESS IS APPROXIMATE BASE METAL THICKNESS.



5/8\" (16) CARRIAGE BOLT



1 5/16\" (24) HEX NUT

NOTE : FOR USE WITH SWAGED CABLE ASSEMBLAGE.



DELAWARE
DEPARTMENT OF TRANSPORTATION

HARDWARE

STANDARD NO. B-13 (2001) SHT. 12 OF 12

APPROVED *Ryan M. Harshbarger* 6/18/01
CHIEF ENGINEER DATE

RECOMMENDED *Mehal Akhavan* 6/18/01
DESIGN ENGINEER DATE