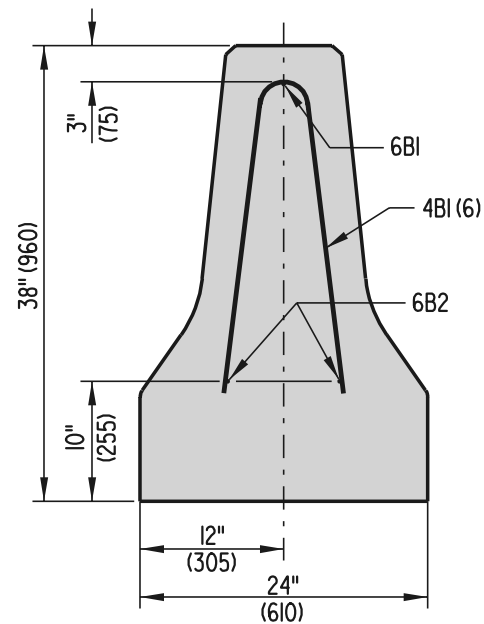


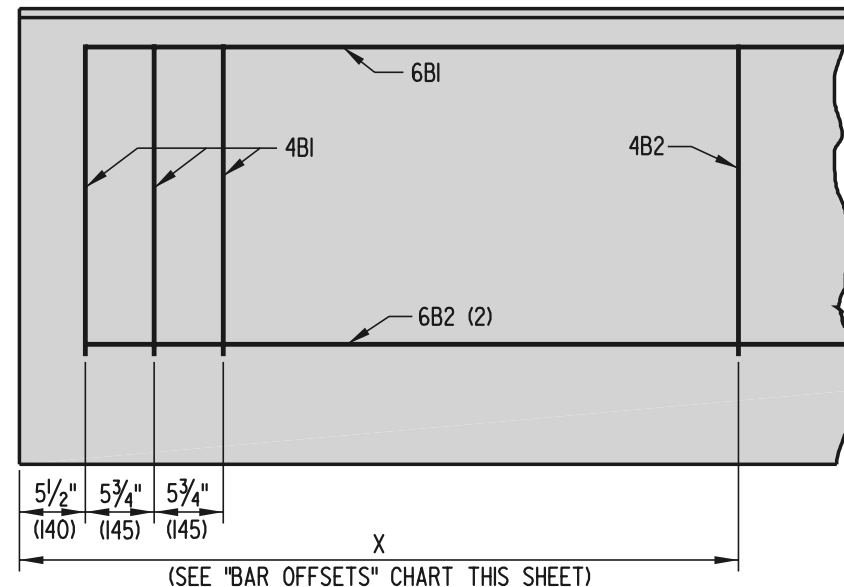
TYPE 'I' BAR

TYPICAL PRE-CAST CONSTRUCTION

BAR OFFSETS		
NOMINAL LENGTH OF BARRIER UNIT	"X"	NO. REQ'D FOR EACH BARRIER UNIT
20' (6000)	6' - 11" (2100)	2
18' (5500)	6' - 5" (1950)	2
16' (5000)	5' - 11" (1800)	2
14' (4500)	7' - 0" (2250)	1
12' (4000)	6' - 0" (2000)	1
10' (3000)	5' - 0" (1500)	1



'F' SHAPE BARRIER SECTION



ELEVATION

TYPICAL PRE-CAST REINFORCEMENT DETAILS

BAR LIST							
MARK	SIZE	NUMBER IN EACH SECTION	LENGTH	TYPE	A	B	C
4B1	4 (13)	6	4'-7" (1400)	I	5" (125)	26" (660)	2" (50)
4B2	4 (13)	**	4'-7" (1400)	I	5" (125)	26" (660)	2" (50)
6B1	6 (19)	1	*	STR.			
6B2	6 (19)	2	*	STR.			

* THE LENGTH OF BARS 6B1 AND 6B2 SHALL BE 11" (280) SHORTER IN LENGTH THAN THE NOMINAL SIZE OF THE BARRIER IN WHICH IT IS USED.
** SEE "BAR OFFSETS" CHART ON THIS SHEET FOR MORE INFORMATION.

NOTES: 1). CONCRETE CLEAR COVER FOR REINFORCING BARS SHALL BE 1/2" (40) MIN..



DELAWARE
DEPARTMENT OF TRANSPORTATION

CONCRETE SAFETY BARRIER (F SHAPE)

STANDARD NO. B-14 (2001) SHT. 2 OF 3

APPROVED *Ryan M. Harshbarger* 6/18/01
CHIEF ENGINEER DATE
RECOMMENDED *Mehmet Aksoy* 6/18/01
DESIGN ENGINEER DATE