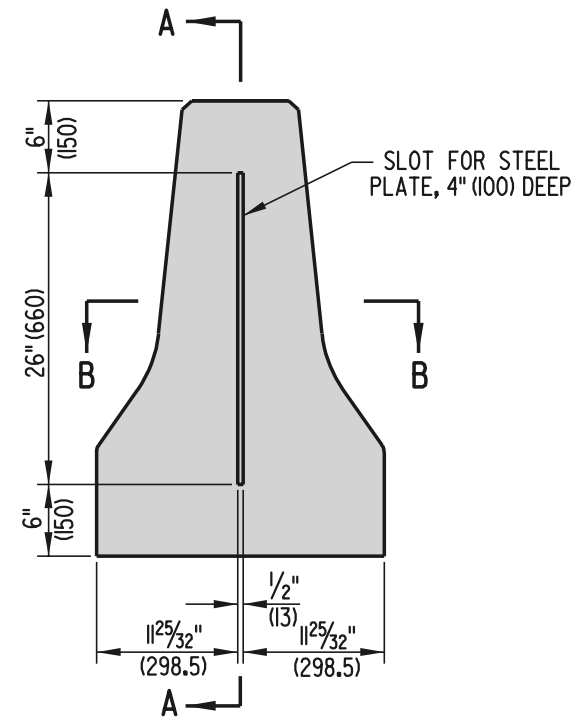
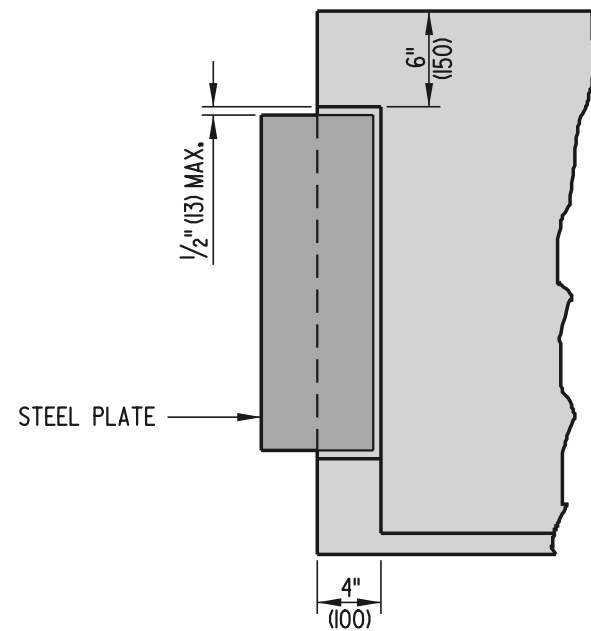


STEEL CONNECTOR PLATE

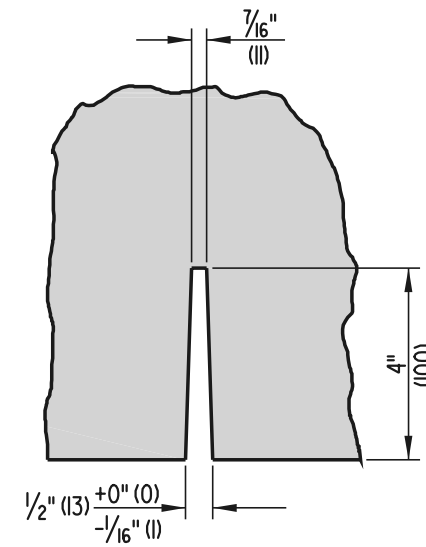


SLOT DIMENSIONS

CONCRETE SAFETY BARRIER, PRECAST CONSTRUCTION
'F' SHAPE BARRIER SECTION



SECTION A-A



SECTION B-B



DELAWARE
DEPARTMENT OF TRANSPORTATION

SLOTTED PLATE CONNECTION DETAILS

STANDARD NO. B-14 (2001)

SHT. 3 OF 3

APPROVED *Ryan M. Harkins* 6/18/01
CHIEF ENGINEER DATE

RECOMMENDED *Mehal Alghob* 6/18/01
DESIGN ENGINEER DATE