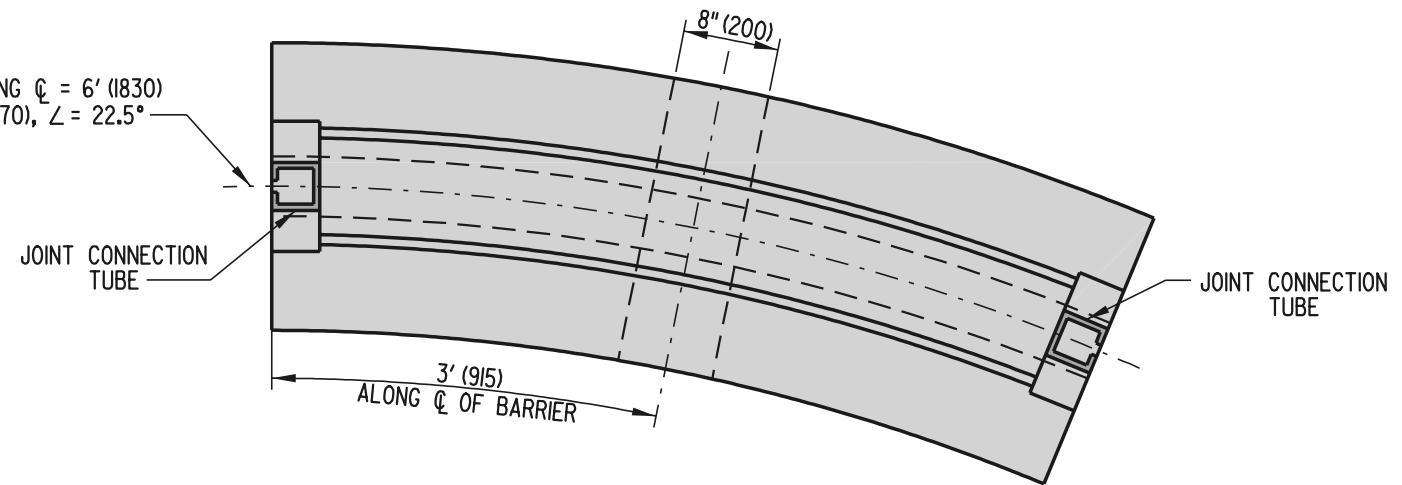


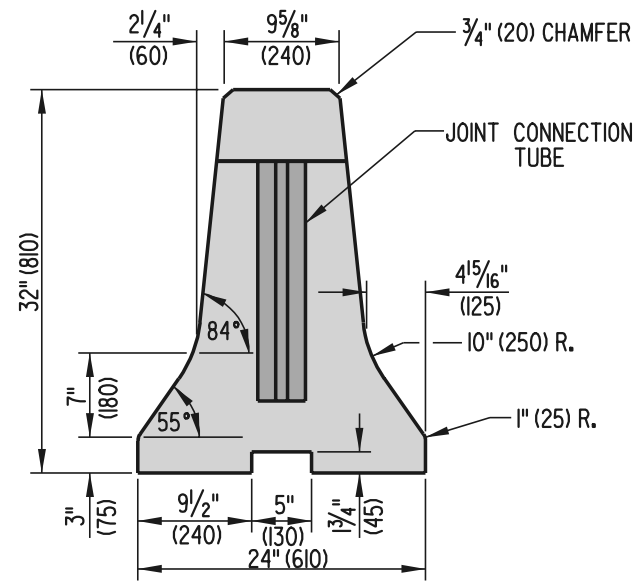
NOTE

THIS DEVICE IS NOT TO BE USED AT LOCATIONS WHERE THE POSTED SPEEDS EXCEED 35 MPH (55 km/h).

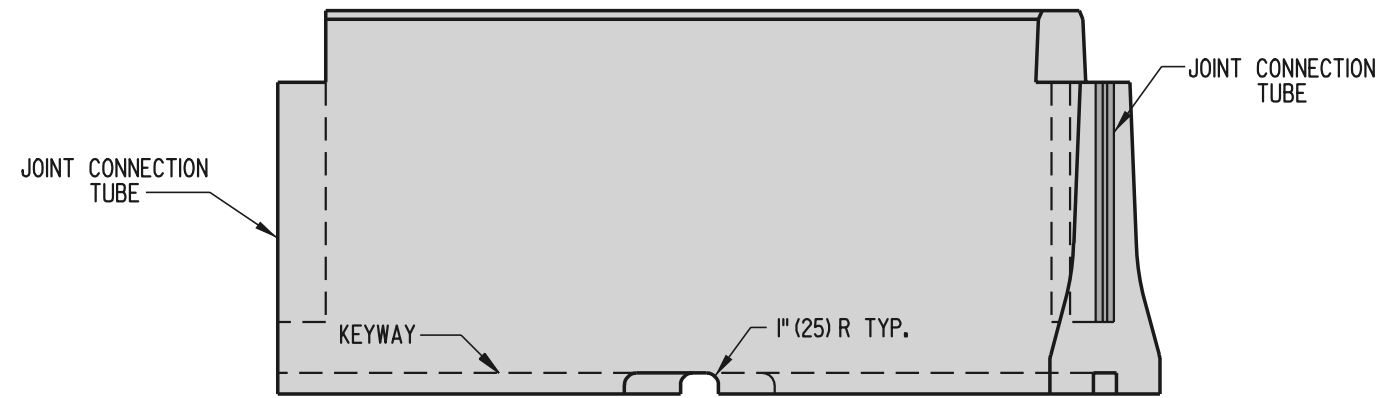
ARC LENGTH ALONG ϕ = 6' (1830)
RADIUS = 15' (4570), \angle = 22.5°



PLAN



END VIEW



ELEVATION

CURVE SECTION

SCALE: N.T.S.



**DELAWARE
DEPARTMENT OF TRANSPORTATION**

PORTABLE CONCRETE SAFETY BARRIER (F SHAPE)

STANDARD NO. **B-15 (2001)**

SHT. **2** OF **5**

APPROVED *Ryan M. Harkins* **6/18/01**
CHIEF ENGINEER DATE

RECOMMENDED *Michael P. [Signature]* **6/18/01**
DESIGN ENGINEER DATE