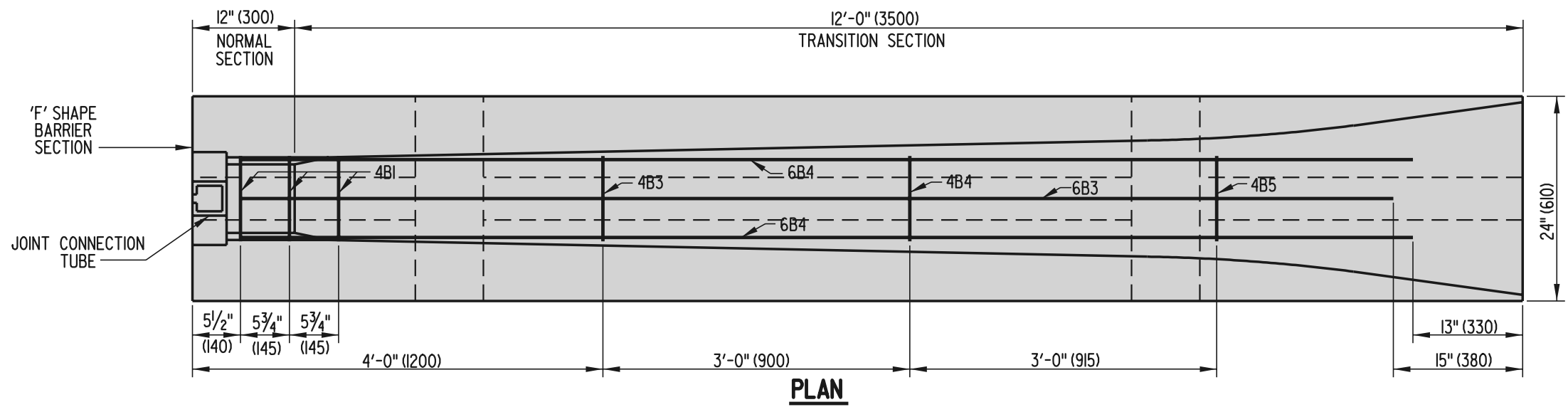
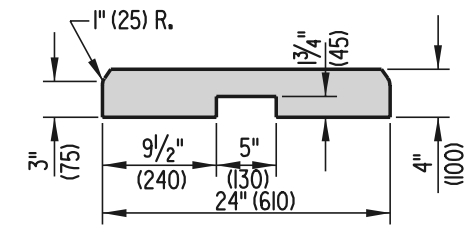


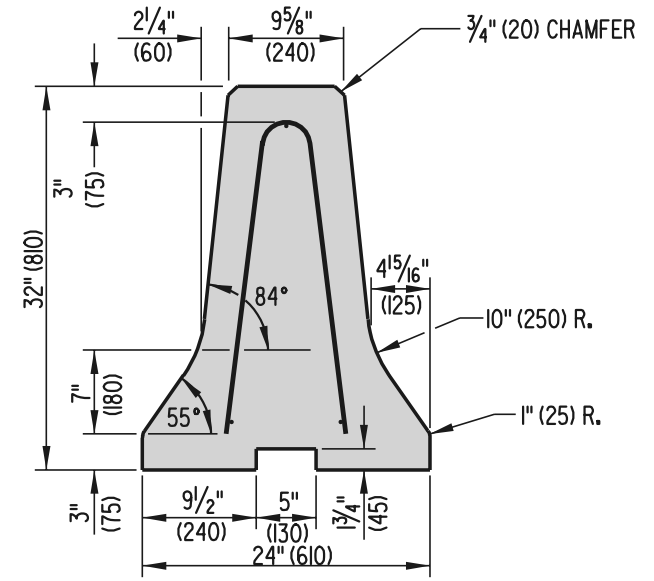
SCALE : N.T.S.



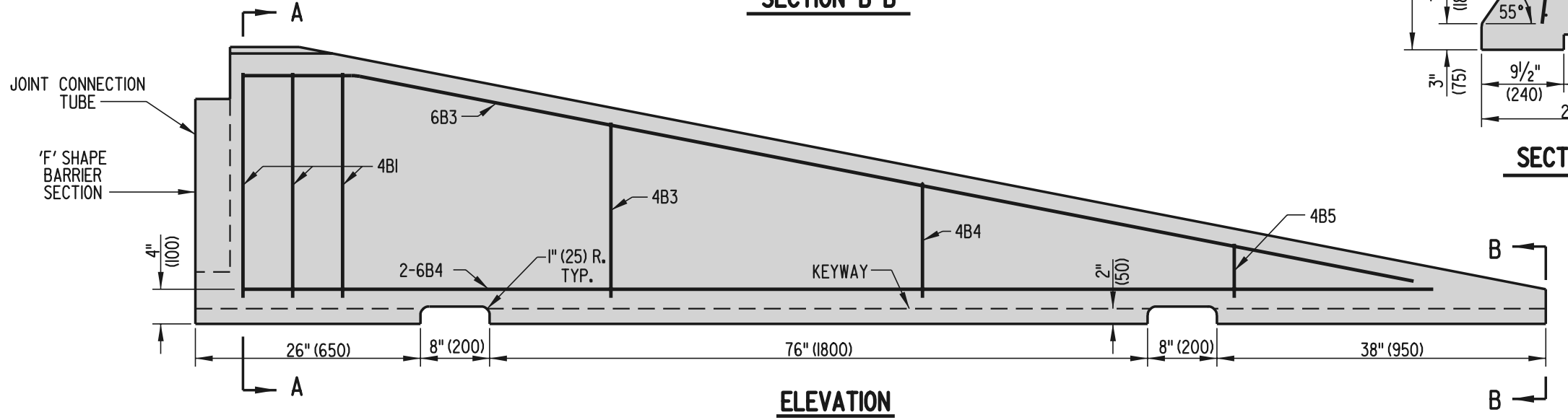
PLAN



SECTION B-B



SECTION A-A



ELEVATION

END SECTION

 **DELAWARE**
DEPARTMENT OF TRANSPORTATION

PORTABLE CONCRETE SAFETY BARRIER (F SHAPE)
STANDARD NO. **B-15 (2001)** SHT. **3** OF **5**

APPROVED *Ryan M. Harkins* 6/18/01
RECOMMENDED *Mehal Alghob* 6/18/01