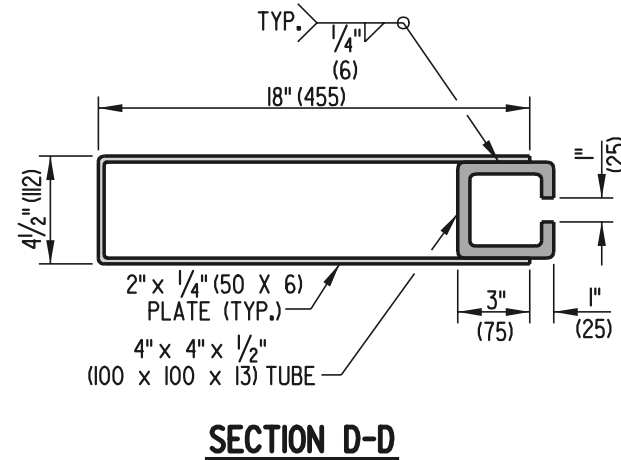
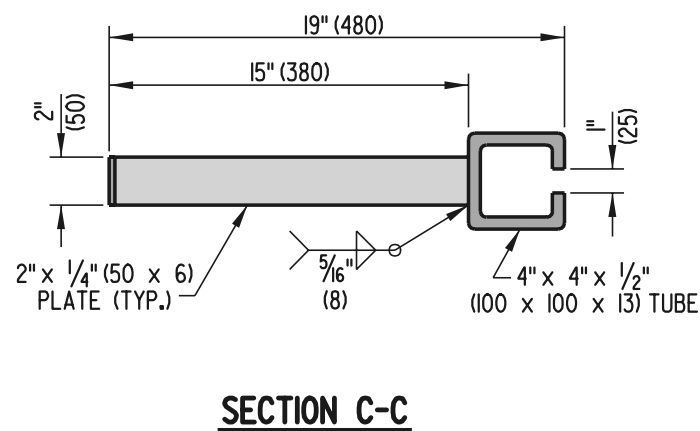


**NOTES:** 1). AFTER A BARRIER UNIT HAS BEEN PLACED AND THE CONNECTION KEY INSERTED, REMOVE ANY SLACK IN THE JOINT BY PULLING THE UNIT IN A DIRECTION PARALLEL TO ITS LONGITUDINAL AXIS.

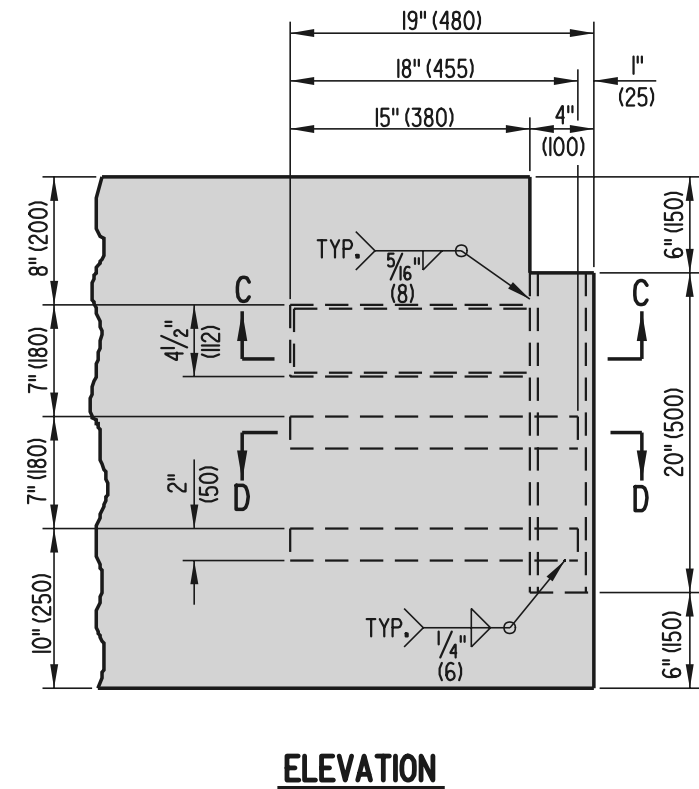


**KEY IN PLACE**

**CONNECTION KEY**



**JOINT CONNECTION DETAILS**



**DELAWARE**  
**DEPARTMENT OF TRANSPORTATION**

**PORTABLE CONCRETE SAFETY BARRIER (F SHAPE)**

STANDARD NO. **B-15 (2001)**

SHT. **5** OF **5**

APPROVED *Ryan M. Harshbarger* 6/18/01  
CHIEF ENGINEER DATE

RECOMMENDED *Mehal Alghobari* 6/18/01  
DESIGN ENGINEER DATE