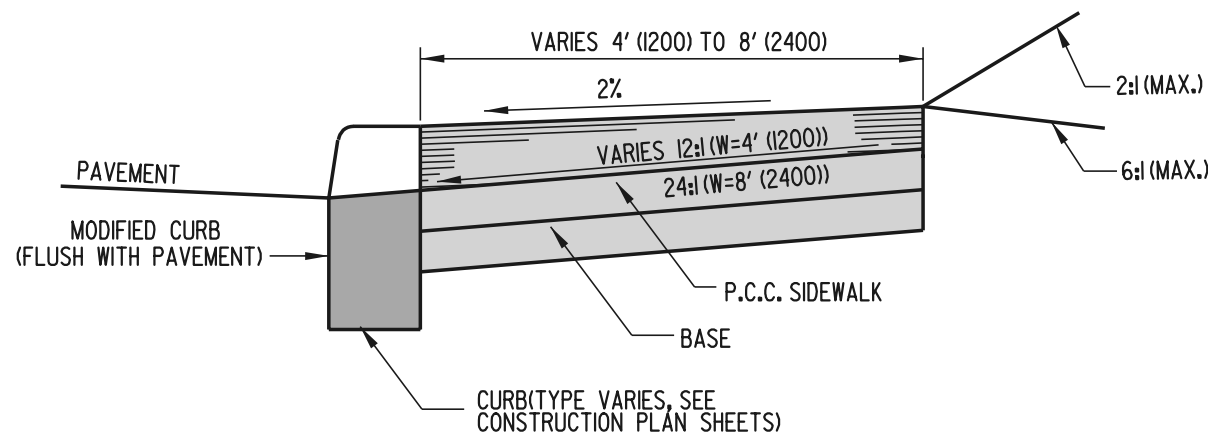
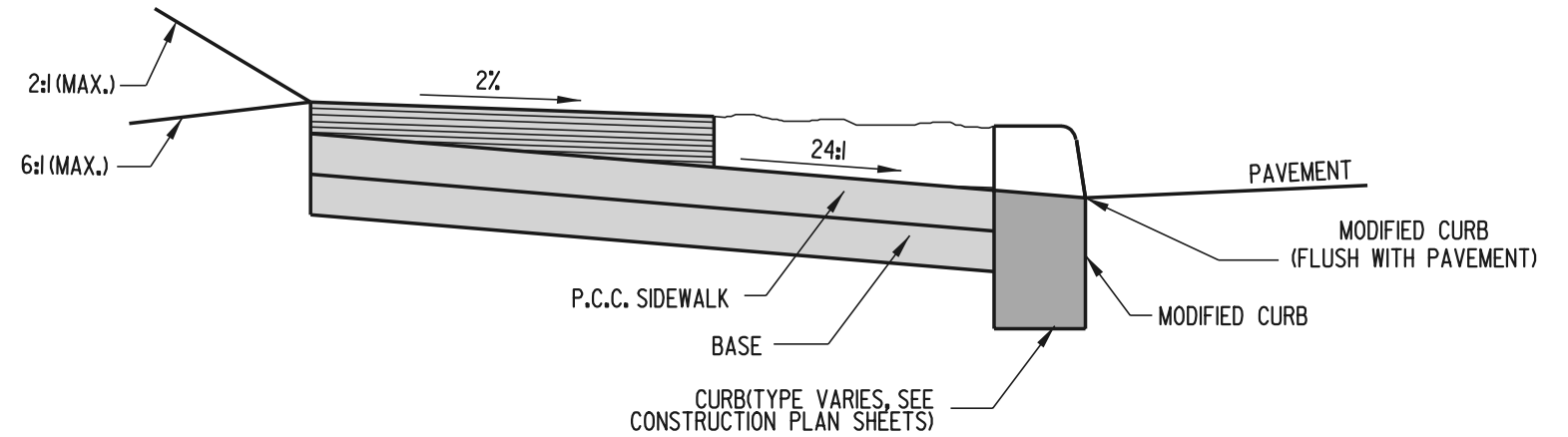


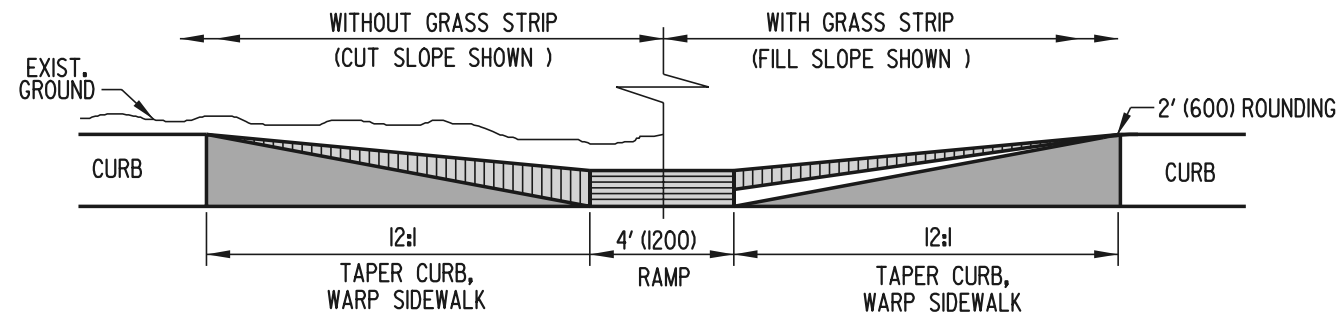
SECTION C-C



SECTION D-D



SECTION E-E



SECTION F-F



DELAWARE
DEPARTMENT OF TRANSPORTATION

CURB RAMPS

STANDARD NO. C-2 (2001)

SHT. 3 OF 4

APPROVED *Ryan M. Harshbarger* 6/18/01
CHIEF ENGINEER DATE

RECOMMENDED *Mehal Alghobari* 6/18/01
DESIGN ENGINEER DATE