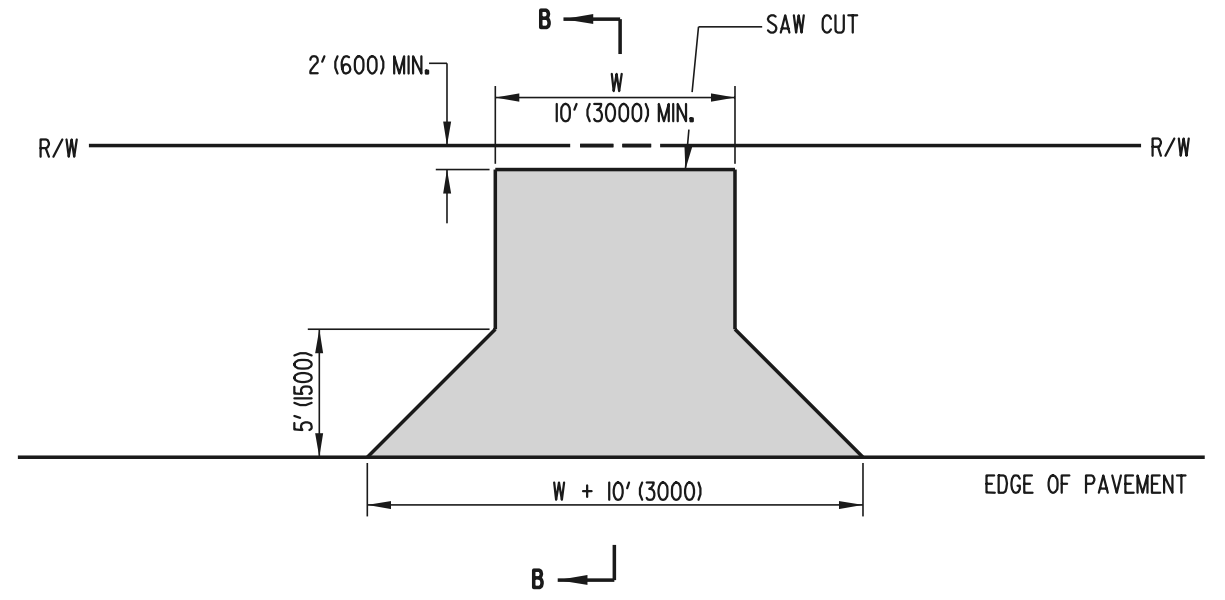


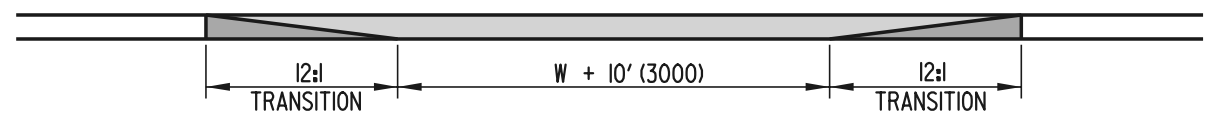
PLAN

URBAN APPLICATION

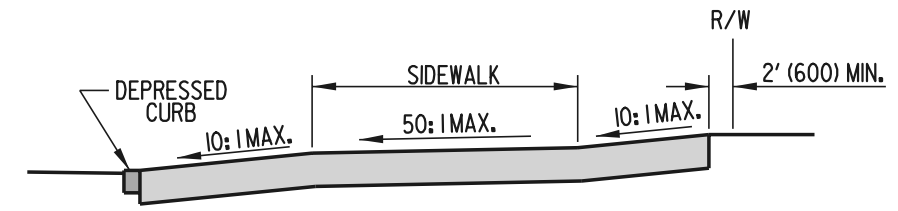


PLAN

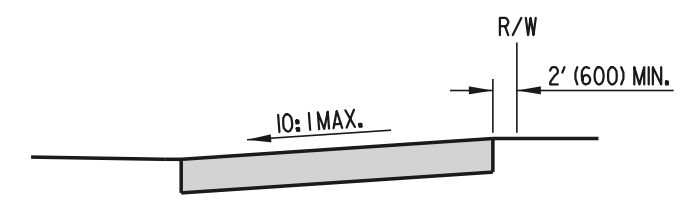
RURAL APPLICATION



ELEVATION



SECTION A-A



SECTION B-B



DELAWARE
DEPARTMENT OF TRANSPORTATION

ENTRANCES

STANDARD NO. C-3 (2001)

SHT. 1 OF 1

APPROVED

Ryan M. Harshbarger
CHIEF ENGINEER DATE 6/18/01

RECOMMENDED

Michael R. [Signature]
DESIGN ENGINEER DATE 6/18/01