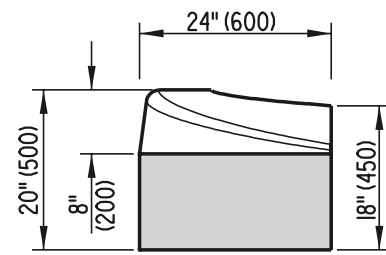
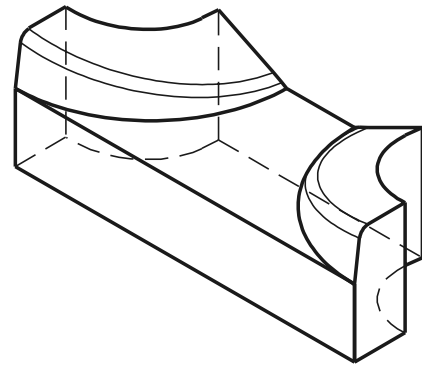


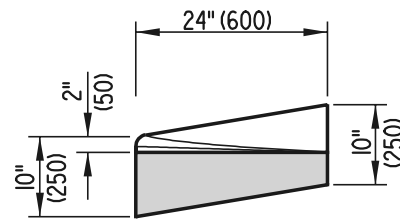
SCALE : N.T.S.



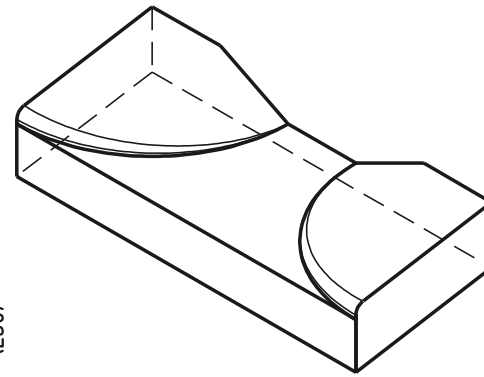
SECTION A-A



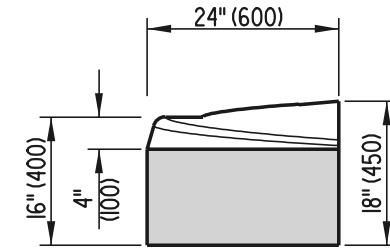
ISOMETRIC VIEW



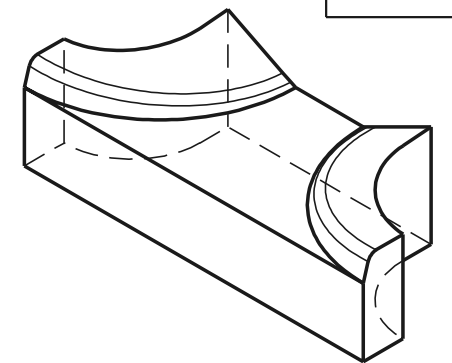
SECTION B-B



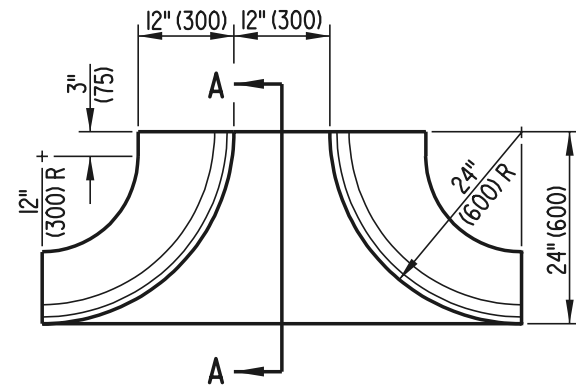
ISOMETRIC VIEW



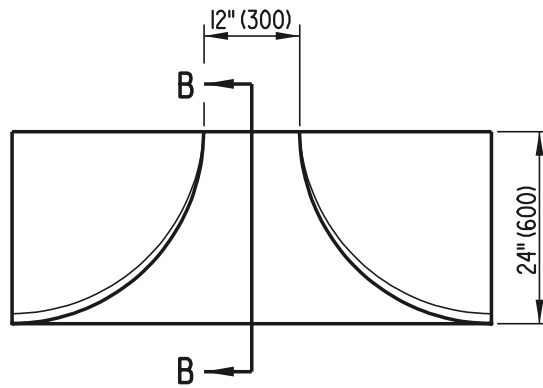
SECTION C-C



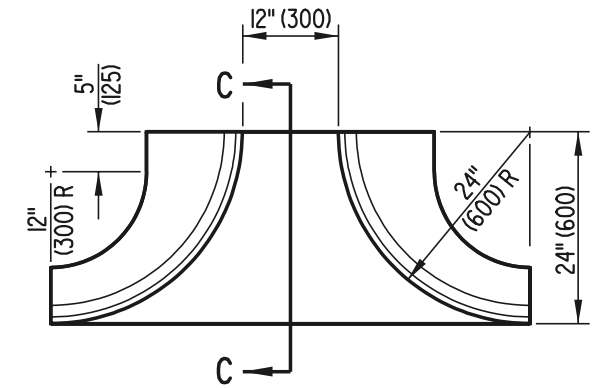
ISOMETRIC VIEW



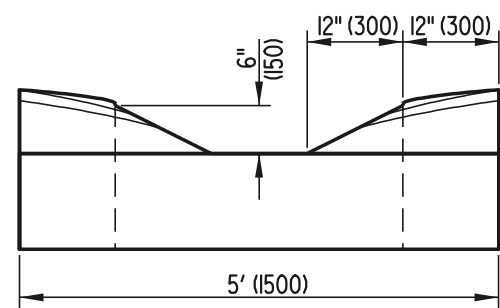
TOP VIEW



TOP VIEW

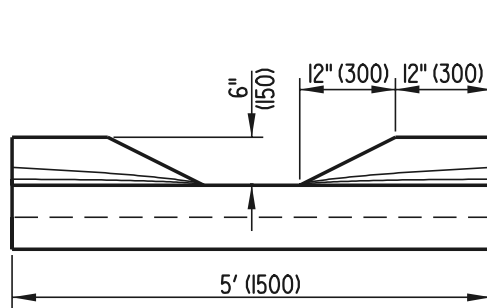


TOP VIEW



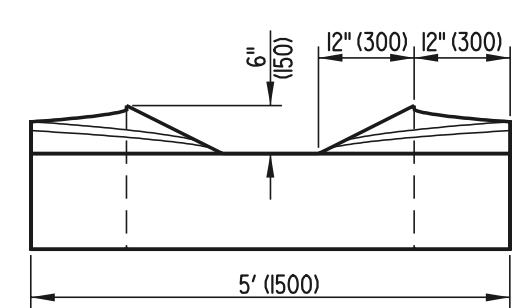
FRONT VIEW

TYPE A
P.C.C. CURB, TYPE 1



FRONT VIEW

TYPE B
P.C.C. CURB, TYPE 2



FRONT VIEW

TYPE C
P.C.C. CURB, TYPE 3



DELAWARE
DEPARTMENT OF TRANSPORTATION

CURB OPENINGS

STANDARD NO. C-4 (2001) SHT. 1 OF 3

APPROVED *Ryan M. Harshbarger* 6/18/01
CHIEF ENGINEER DATE
 RECOMMENDED *Mehal Alghamdi* 6/18/01
DESIGN ENGINEER DATE