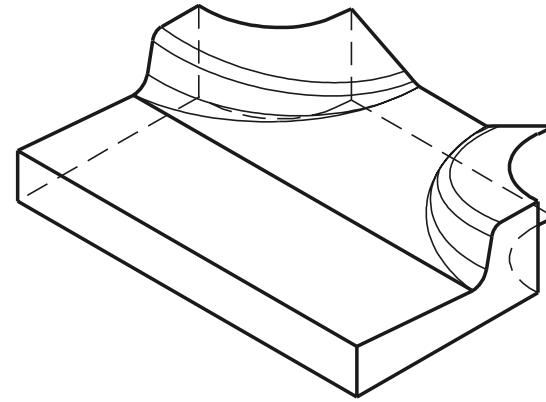
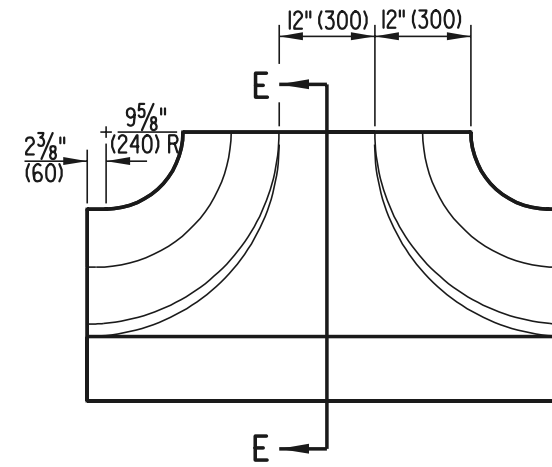


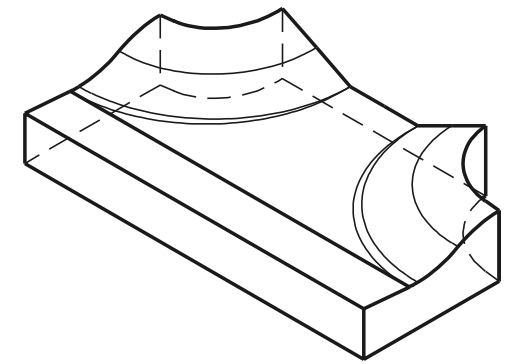
TOP VIEW



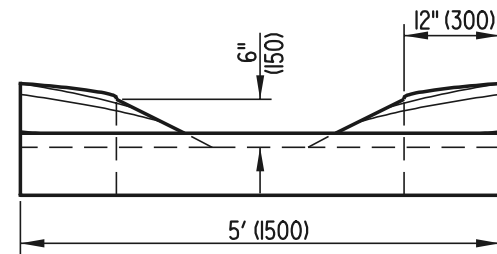
ISOMETRIC VIEW



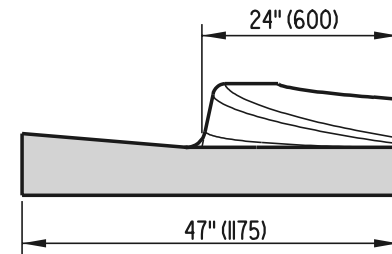
TOP VIEW



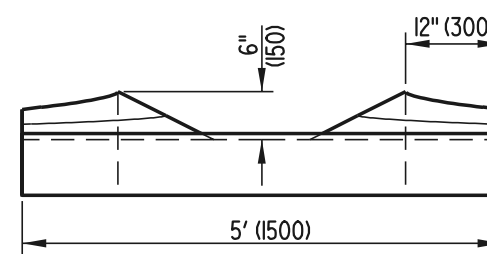
ISOMETRIC VIEW



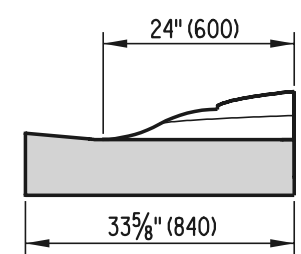
FRONT VIEW



SECTION D-D



FRONT VIEW



SECTION E-E

TYPE D
INTEGRAL P.C.C. CURB AND GUTTER, TYPE 1

TYPE E
INTEGRAL P.C.C. CURB AND GUTTER, TYPE 2



DELAWARE
DEPARTMENT OF TRANSPORTATION

CURB OPENINGS

STANDARD NO. C-4 (2001) SHT. 2 OF 3

APPROVED *Ryan M. Harshbarger* 6/18/01
CHIEF ENGINEER DATE
RECOMMENDED *Mehal Aljeda* 6/18/01
DESIGN ENGINEER DATE