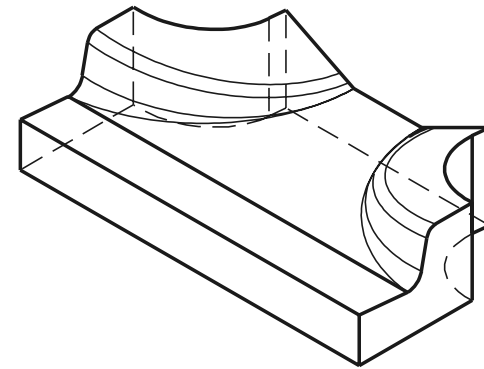
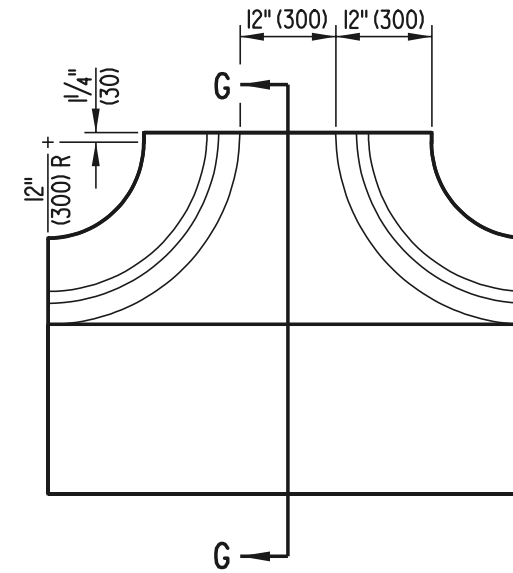


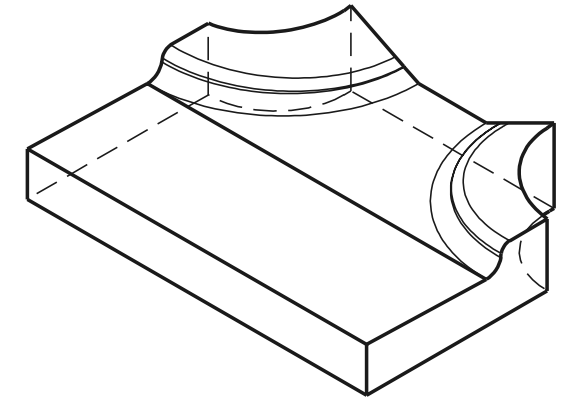
TOP VIEW



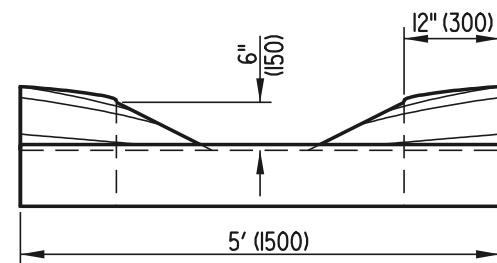
ISOMETRIC VIEW



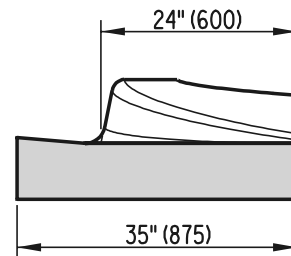
TOP VIEW



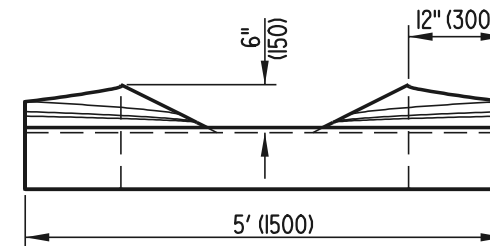
ISOMETRIC VIEW



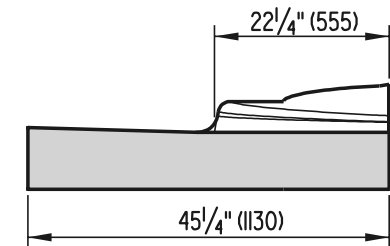
FRONT VIEW



SECTION F-F



FRONT VIEW



SECTION G-G

TYPE F
INTEGRAL P.C.C. CURB AND GUTTER, TYPE 3

TYPE G
INTEGRAL P.C.C. CURB AND GUTTER, TYPE 4



DELAWARE
DEPARTMENT OF TRANSPORTATION

CURB OPENINGS

STANDARD NO. C-4 (2001) SHT. 3 OF 3

APPROVED *Ryan M. Harshbarger* 6/18/01
CHIEF ENGINEER DATE
 RECOMMENDED *Mehal Aljeda* 6/18/01
DESIGN ENGINEER DATE