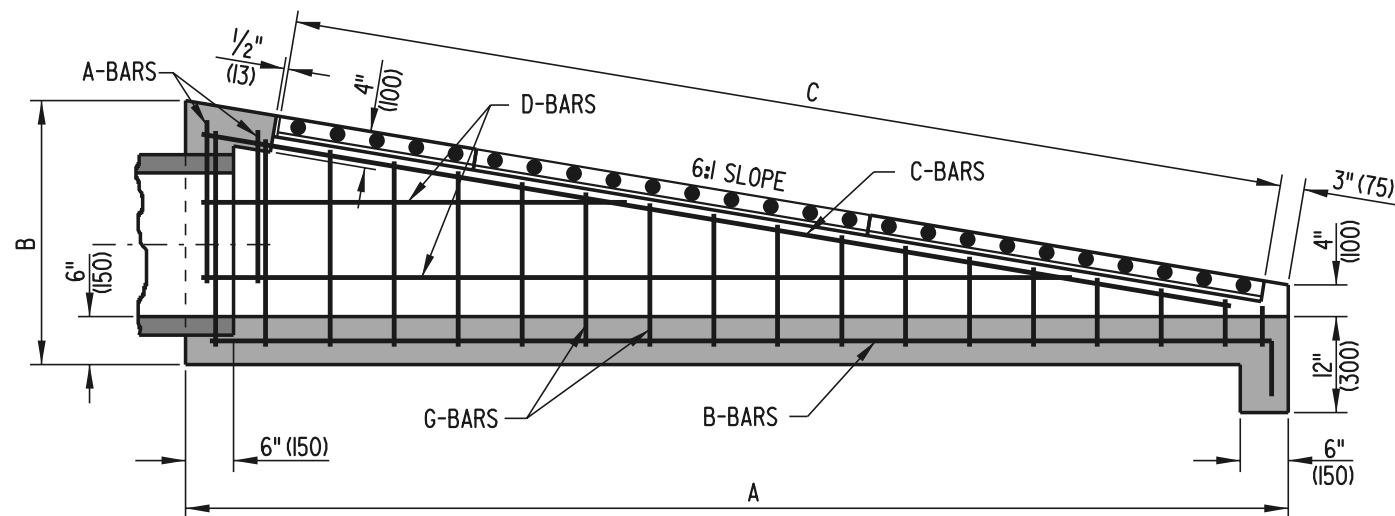
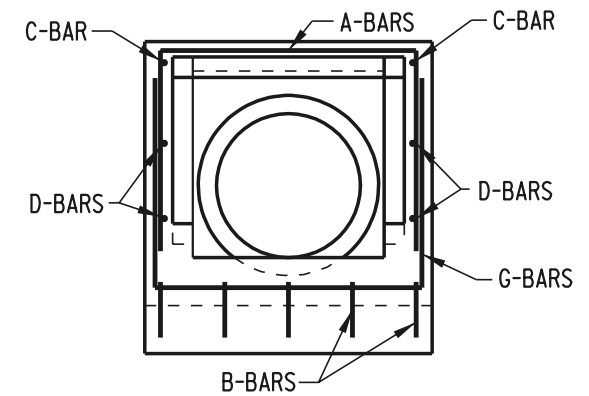


PLAN VIEW
SHOWN WITHOUT GRATE

NOTE: 6:1 SAFETY END STRUCTURE TO BE PRECAST



SECTION A-A



FRONT VIEW



DELAWARE
DEPARTMENT OF TRANSPORTATION

6:1 SAFETY END STRUCTURE

STANDARD NO. D-1 (2001)

SHT. 1 OF 2

APPROVED *Ryan M. Harshbarger* 6/18/01
CHIEF ENGINEER DATE
 RECOMMENDED *Mehal Rajda* 6/18/01
DESIGN ENGINEER DATE