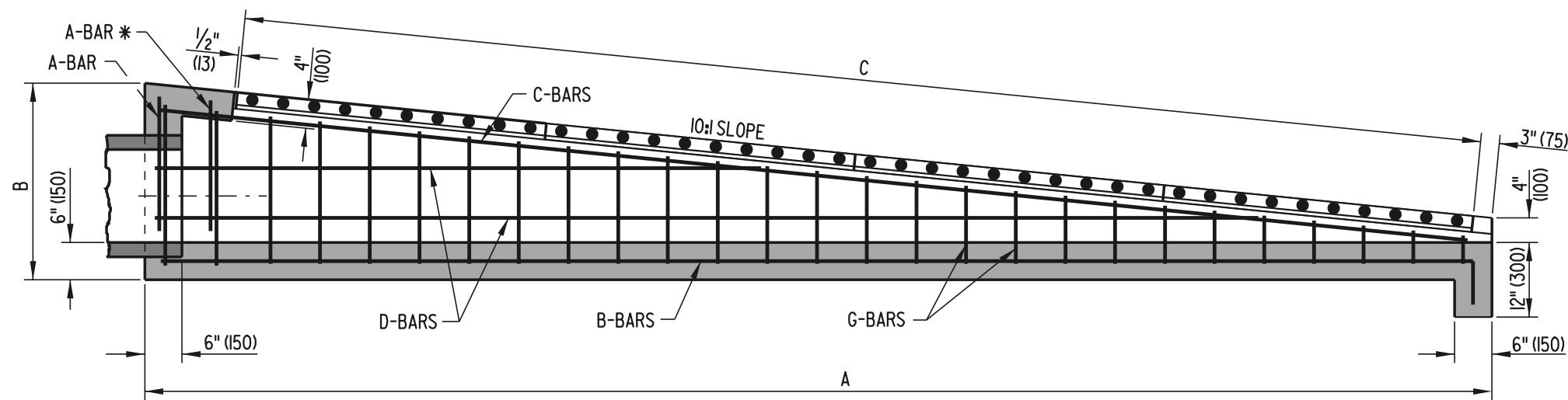


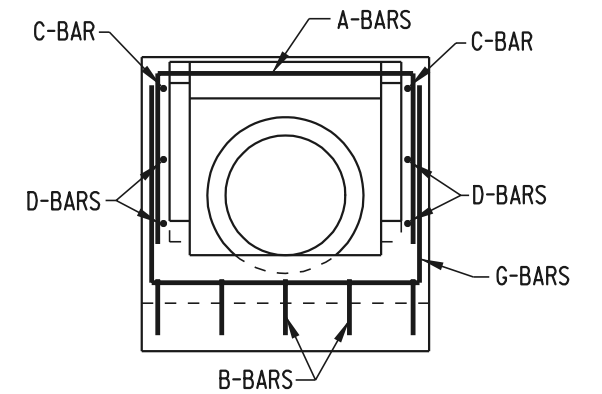
PLAN VIEW
SHOWN WITHOUT GRATE

NOTE: 10:1 SAFETY END STRUCTURE TO BE PRECAST



SECTION A-A

* REQUIRED ONLY FOR PIPE SIZE OF 21" (525) OR 24" (600)



FRONT VIEW



DELAWARE
DEPARTMENT OF TRANSPORTATION

10:1 SAFETY END STRUCTURE

STANDARD NO. D-2 (2001)

SHT. 1 OF 2

APPROVED *Ryan M. Harshbarger* 6/18/01
CHIEF ENGINEER DATE

RECOMMENDED *Mehal Alghob* 6/18/01
DESIGN ENGINEER DATE