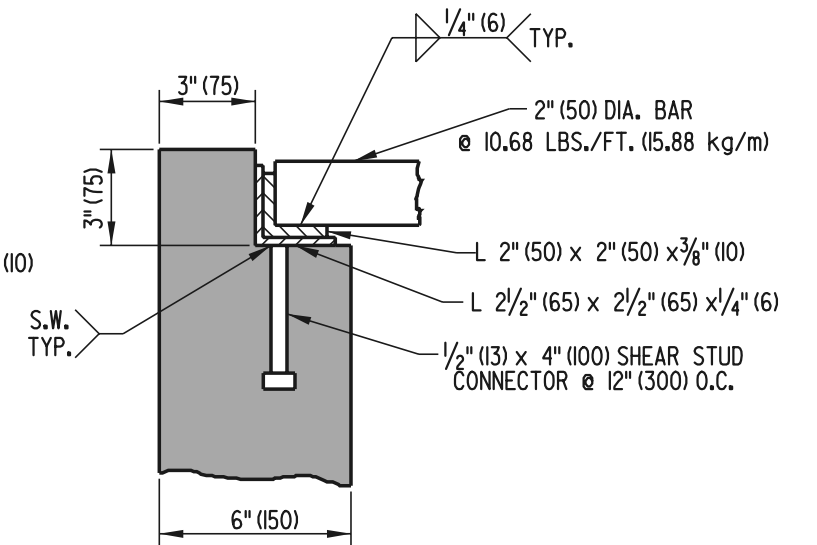


GRATE DETAIL

2" (50) DIA. BAR @ 10.68 LBS./FT. (15.88 kg/m)



FRAME & GRATE ASSEMBLY DETAIL



DELAWARE
DEPARTMENT OF TRANSPORTATION

SAFETY END STRUCTURE GRATE

STANDARD NO.

D-3 (2001)

SHT. 1

OF 1

APPROVED

Ryan M. Harshbarger
CHIEF ENGINEER DATE 6/18/01

RECOMMENDED

Mehal Alghobari
DESIGN ENGINEER DATE 6/18/01