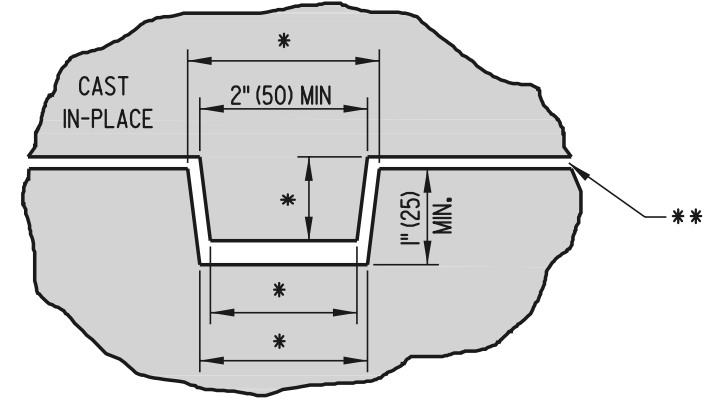


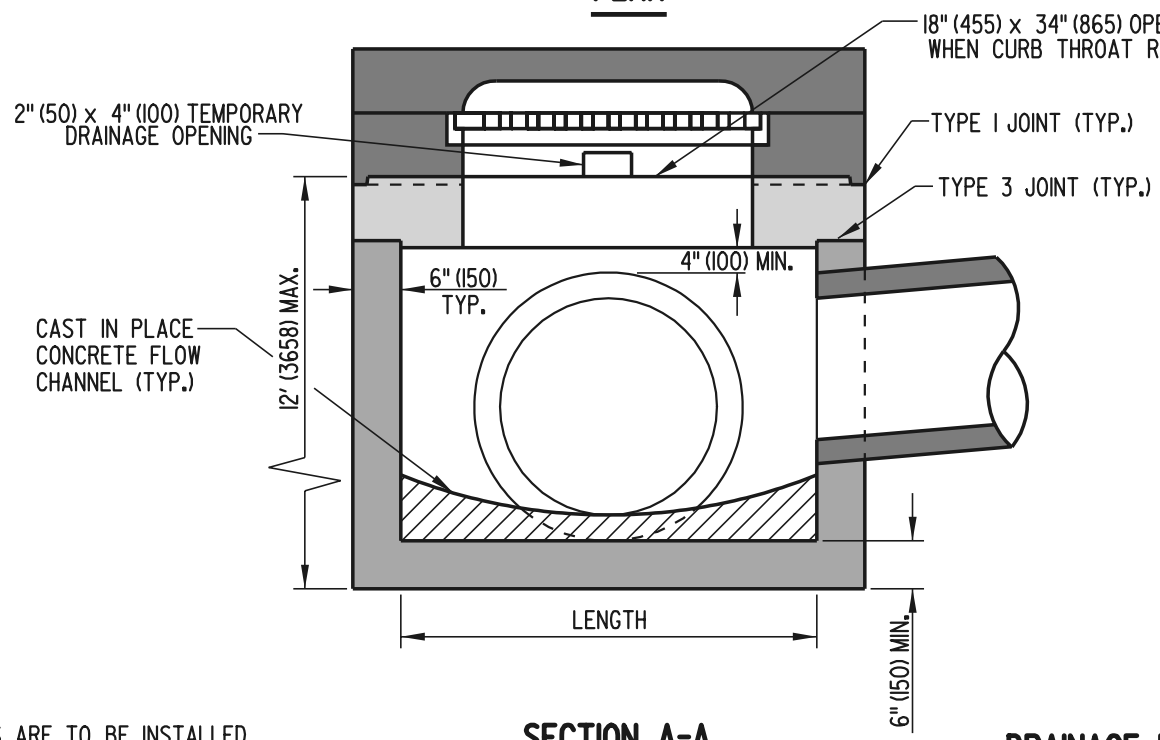
**TYPE I JOINT DETAIL**



**TYPE 2 JOINT DETAIL**

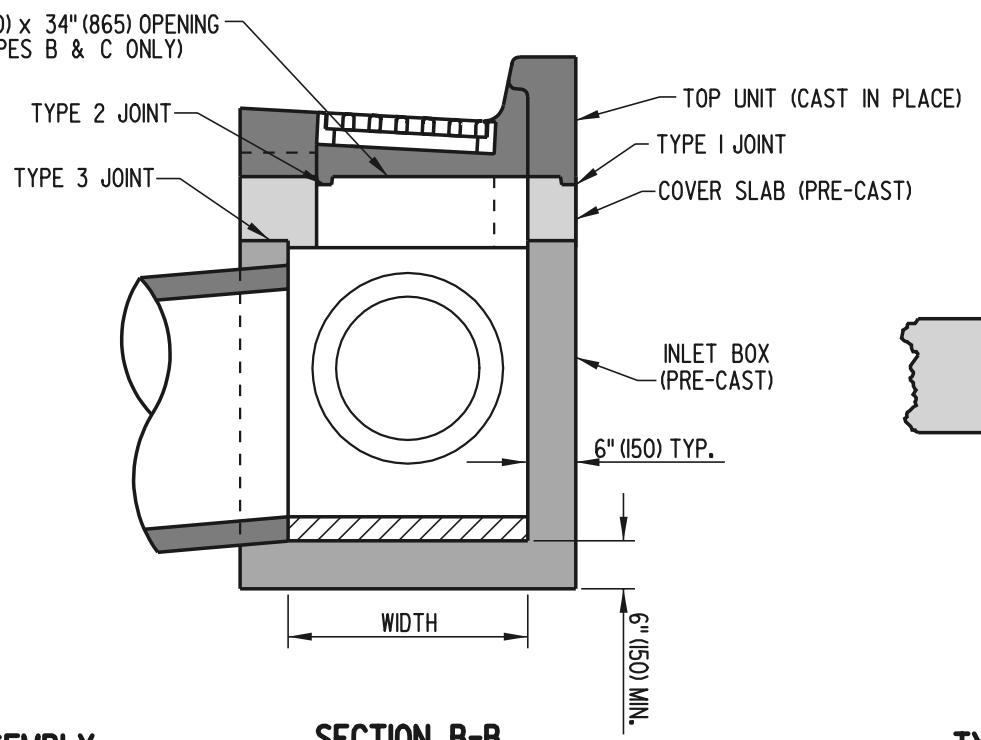
\* DIMENSIONS WILL VARY  
 \*\* JOINT SEALANT

**PLAN**

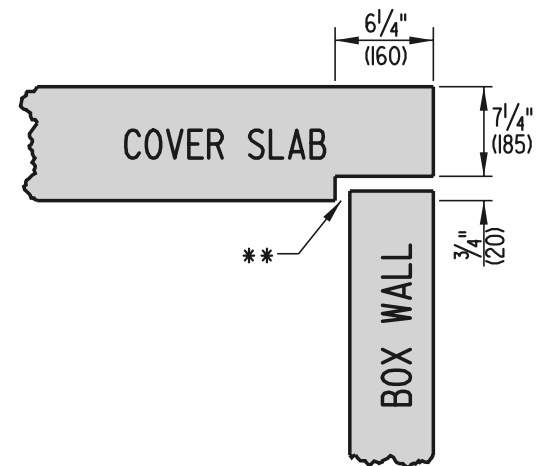


**SECTION A-A**

**DRAINAGE INLET ASSEMBLY**



**SECTION B-B**



**TYPE 3 JOINT DETAIL**

- NOTES:**
- 1.) STEPS ARE TO BE INSTALLED IN BACK WALL AS PER SPECIFICATIONS.
  - 2.) NO PIPES WITH AN OUTSIDE DIAMETER LARGER THAN 1 1/2" (38 mm) WILL BE PERMITTED TO ENTER THE BACK WALL OF A DRAINAGE INLET.