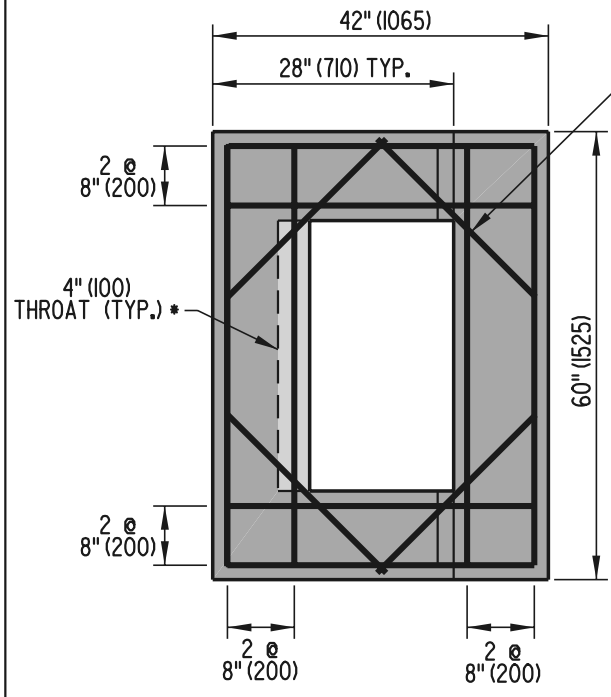
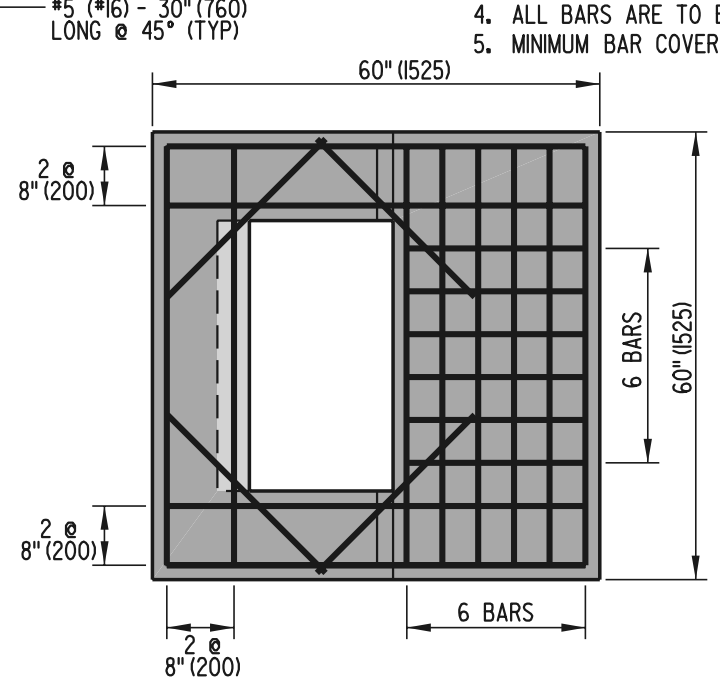


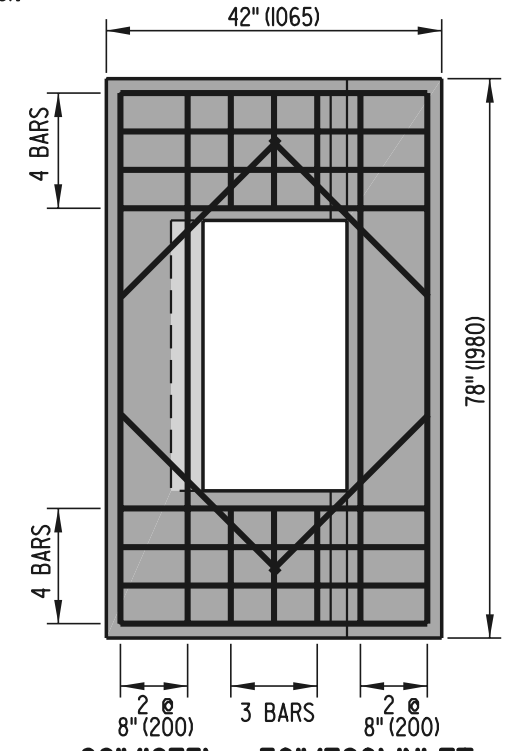
- NOTE :**
1. 4" (100) THROAT IS FOR TYPES B AND C TOP UNITS ONLY.
 2. RELOCATE ENCRANCHING REINFORCING BARS WHEN USING TYPES B & C TOP UNITS.
 3. COVER SLABS ARE TO BE PRE-CAST AND MUST BE SIZED TO FIT INLET BOX DIMENSIONS.
 4. ALL BARS ARE TO BE #5 (#16) SPACED @ 6" (150)± UNLESS NOTED OTHERWISE.
 5. MINIMUM BAR COVER = 1/2" (38).



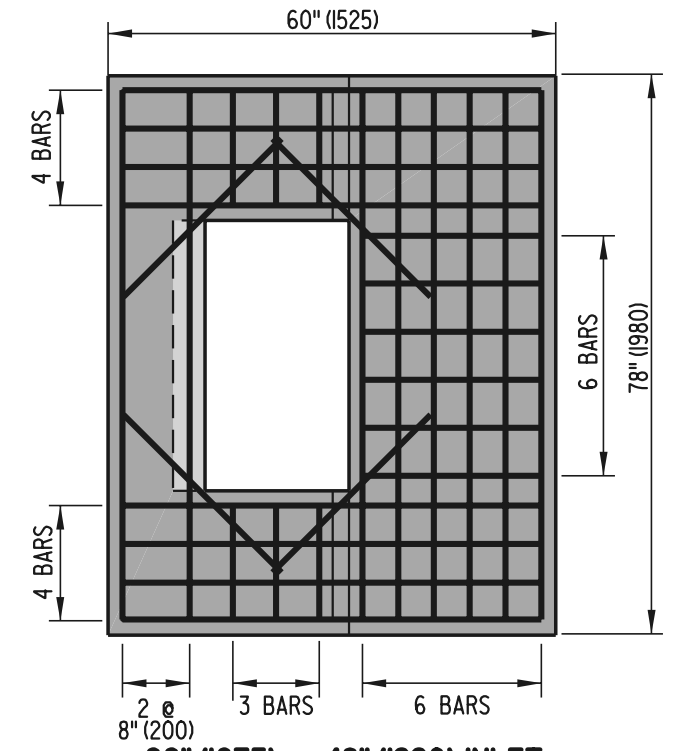
48" (1220) x 30" (760) INLET



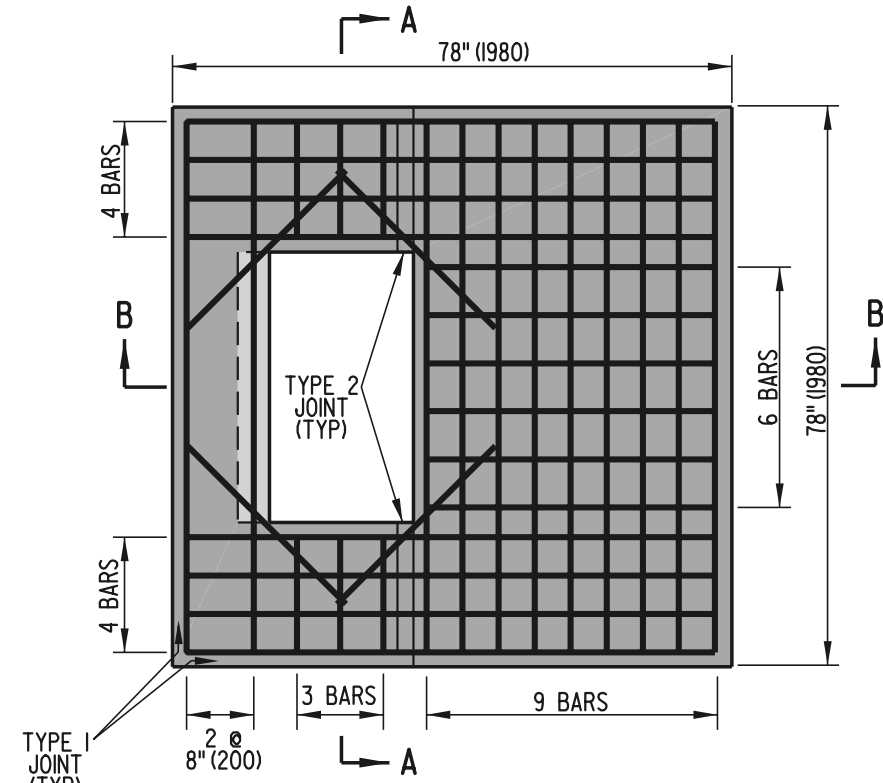
48" (1220) x 48" (1220) INLET



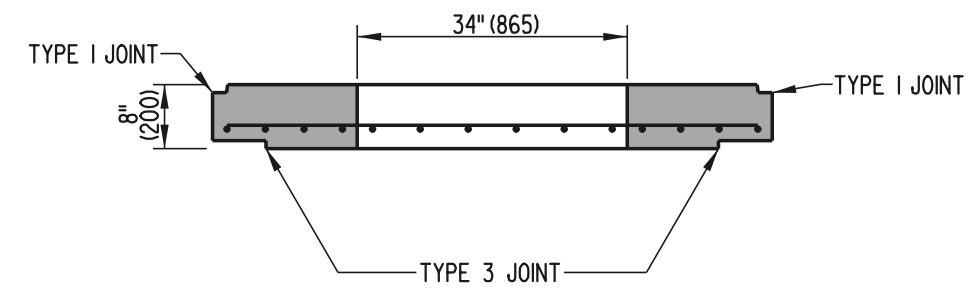
66" (1675) x 30" (760) INLET



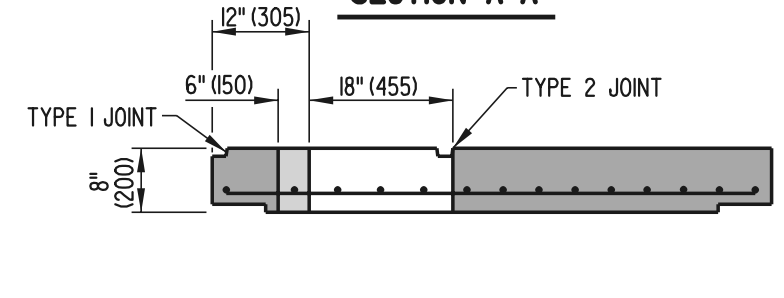
66" (1675) x 48" (1220) INLET



66" (1675) x 66" (1675) INLET



SECTION A-A



SECTION B-B

DRAINAGE INLET COVER SLAB DETAILS