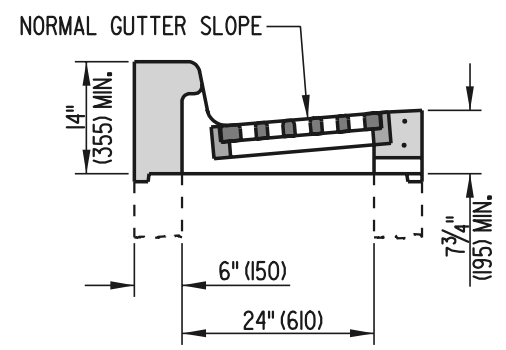
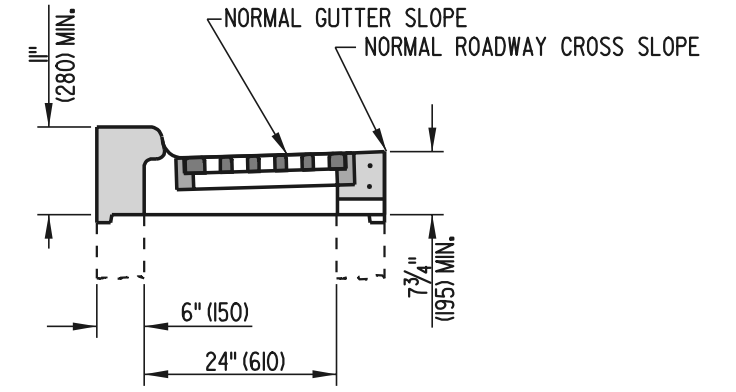


TOP VIEW

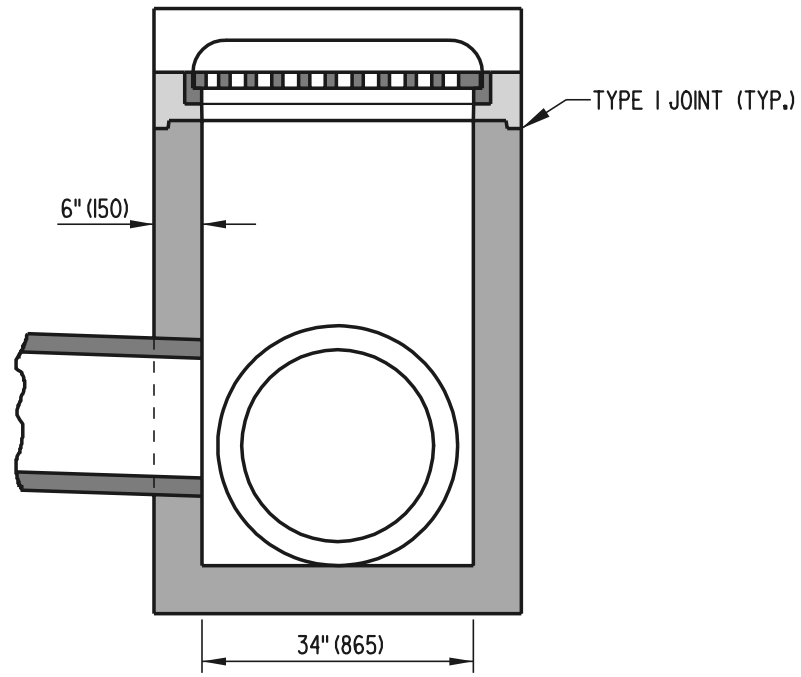


TYPE B

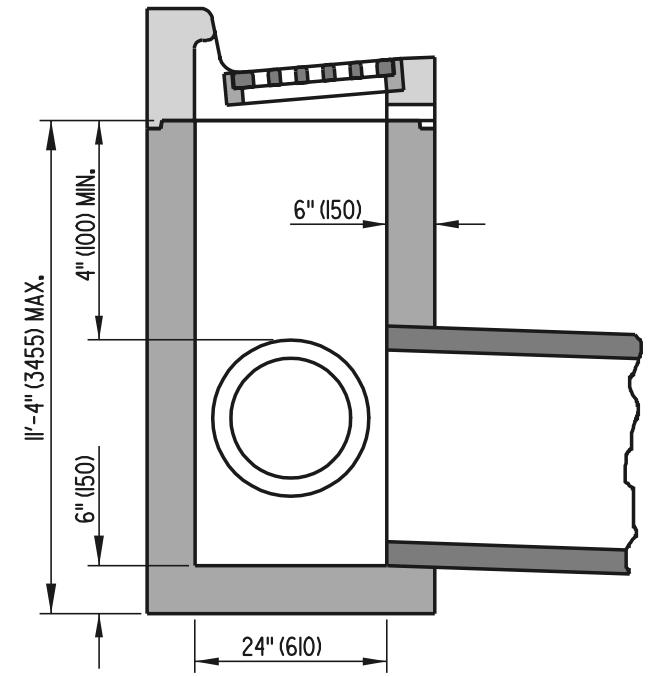


TYPE C

TOP UNIT DETAILS




SECTION A-A



SECTION B-B

34" (865) x 24" (610) DRAINAGE INLET DETAILS

NOTE: REFER TO PREVIOUS SHEETS FOR REINFORCING REQUIREMENTS

 DELAWARE DEPARTMENT OF TRANSPORTATION	DRAINAGE INLET DETAILS			APPROVED <i>Ryan M. Harshbarger</i> 6/18/01 <small>CHIEF ENGINEER DATE</small>
	STANDARD NO. D-5 (2001)	SHT. 5	OF 7	RECOMMENDED <i>Michael R. [Signature]</i> 6/18/01 <small>DESIGN ENGINEER DATE</small>