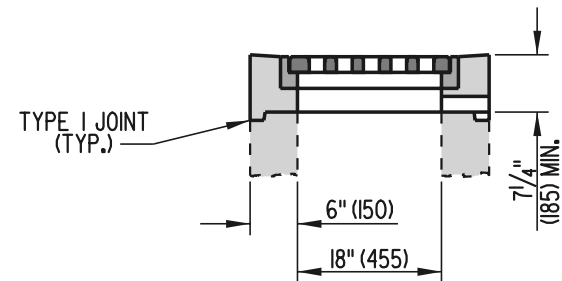
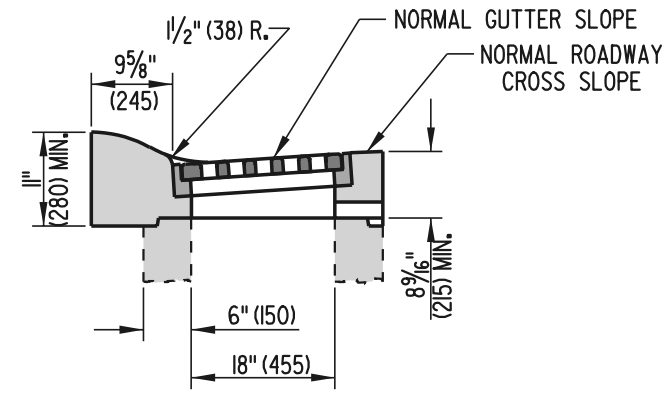


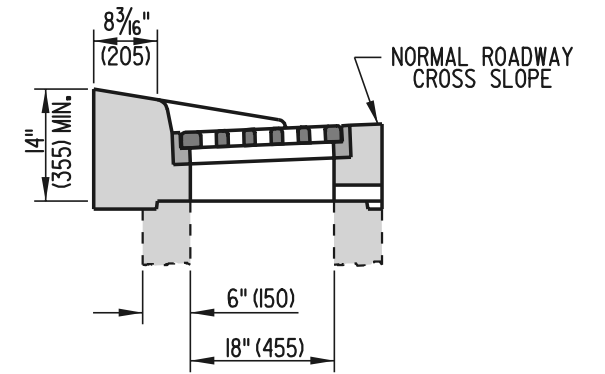
**TOP VIEW**



**TYPE A**

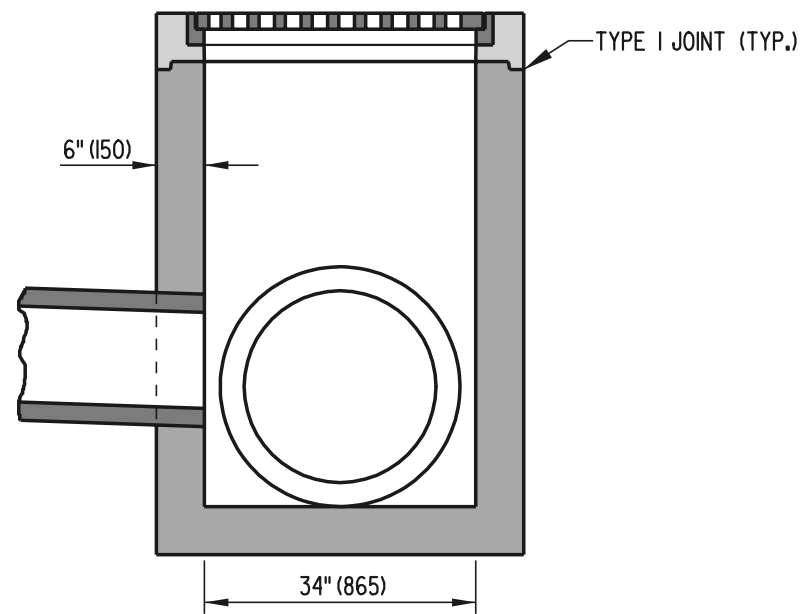


**TYPE D**

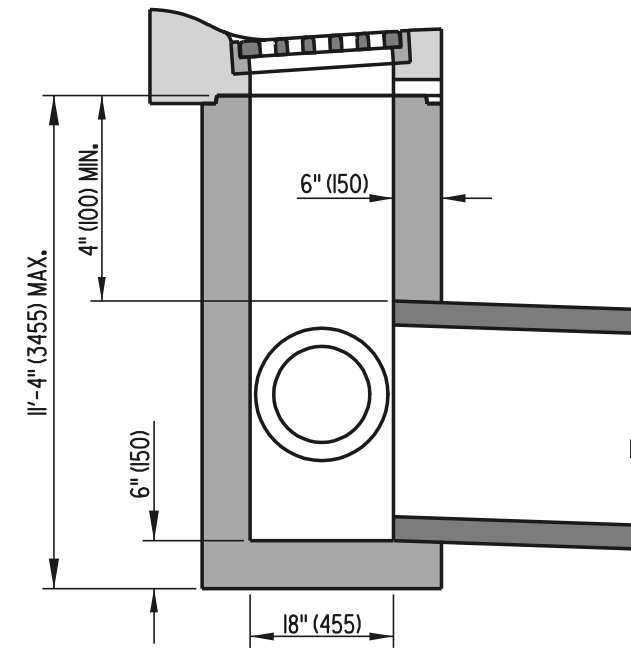


**TYPE E**

**TOP UNIT DETAILS**



**SECTION A-A**



**SECTION B-B**

**34" (865) x 18" (455) DRAINAGE INLET DETAILS**

NOTE: REFER TO PREVIOUS SHEETS FOR REINFORCEMENT REQUIREMENTS



**DELAWARE  
DEPARTMENT OF TRANSPORTATION**

**DRAINAGE INLET DETAILS**

STANDARD NO. **D-5 (2001)** SHT. **6** OF **7**

APPROVED *Ryan M. Harkness* **6/18/01**  
CHIEF ENGINEER DATE

RECOMMENDED *Mehal Akhavan* **6/18/01**  
DESIGN ENGINEER DATE