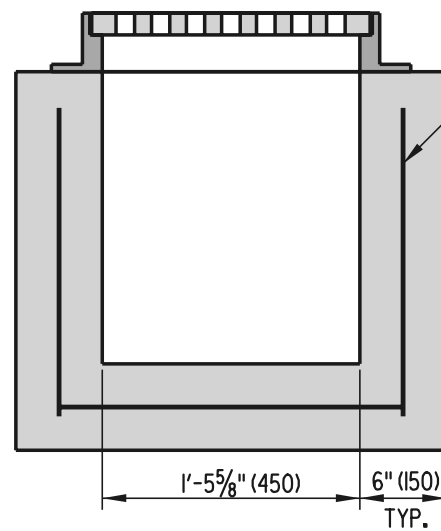
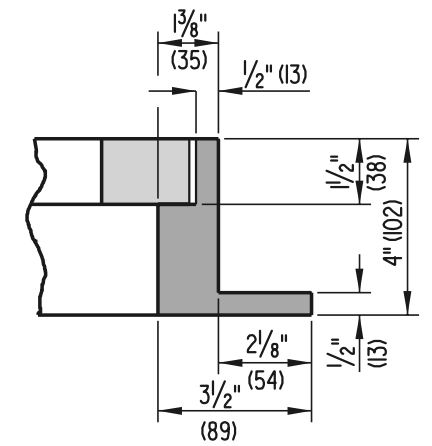
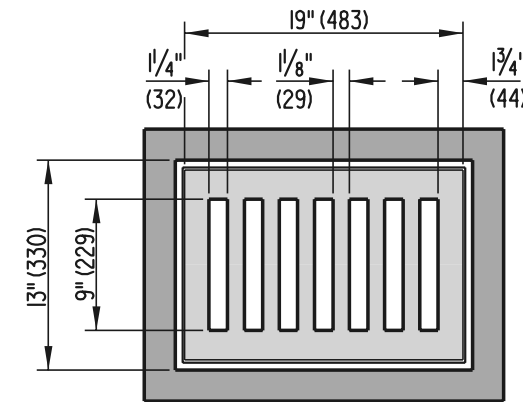
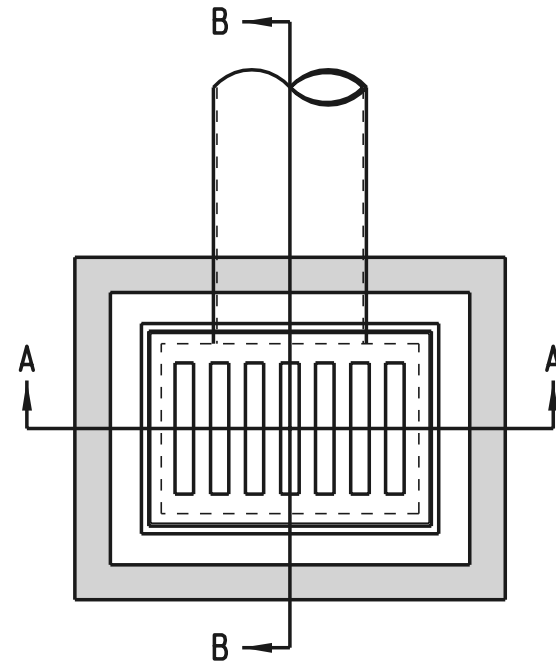
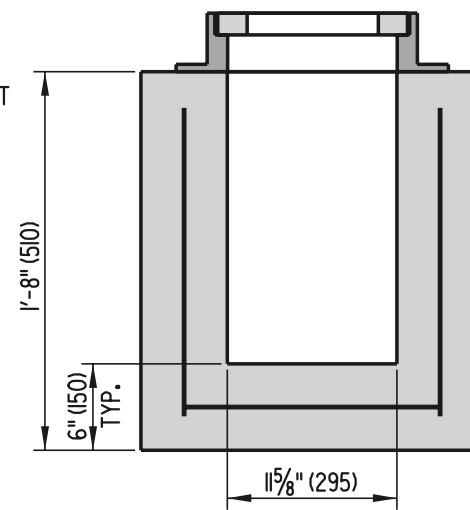


NOTE: I. REINFORCEMENT SHALL BE 4" (102) X 4" (102) W4 X W4 (W26 X W26)

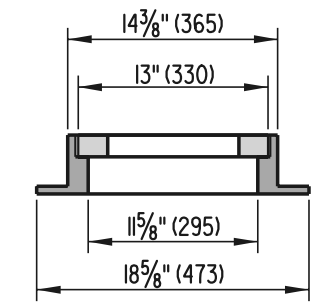
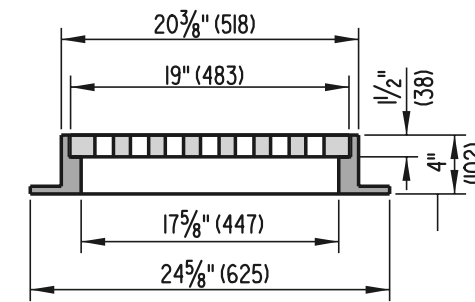


SECTION A-A

REINFORCEMENT
SEE NOTE



SECTION B-B



DELAWARE
DEPARTMENT OF TRANSPORTATION

LAWN INLET

STANDARD NO. D-5 (2001)

SHT. 7 OF 7

APPROVED *Ryan M. Hershberg* 6/18/01
CHIEF ENGINEER DATE

RECOMMENDED *Mehal Alghobari* 6/18/01
DESIGN ENGINEER DATE