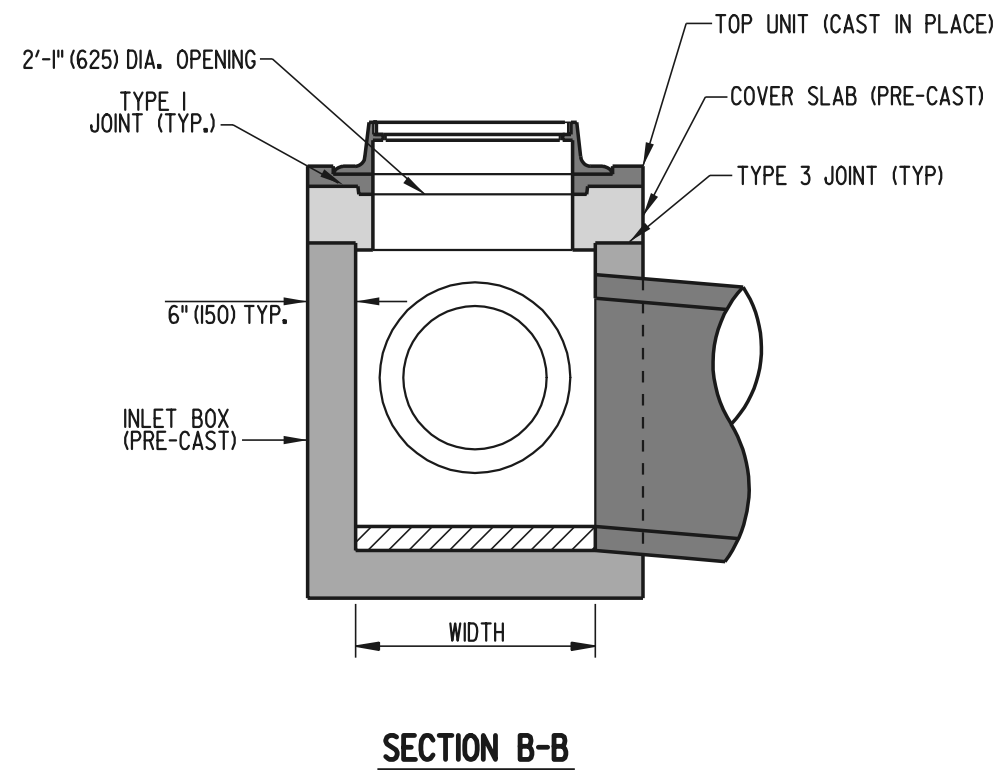
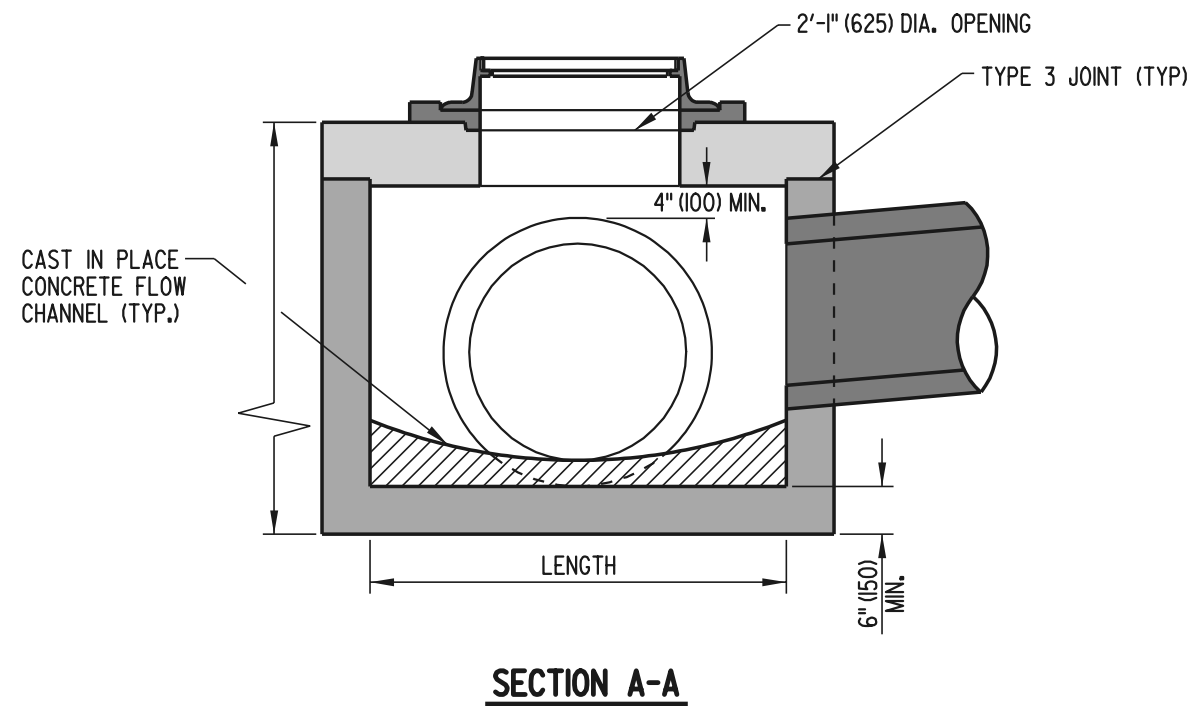


* DIMENSIONS WILL VARY
 ** JOINT SEALANT



BOX MANHOLE ASSEMBLY



**DELAWARE
 DEPARTMENT OF TRANSPORTATION**

MANHOLE DETAILS

STANDARD NO. **D-6 (2001)** SHT. **1** OF **4**

APPROVED *Ryan M. Harkness* 6/18/01
CHIEF ENGINEER DATE
 RECOMMENDED *Michael R. [Signature]* 6/18/01
DESIGN ENGINEER DATE