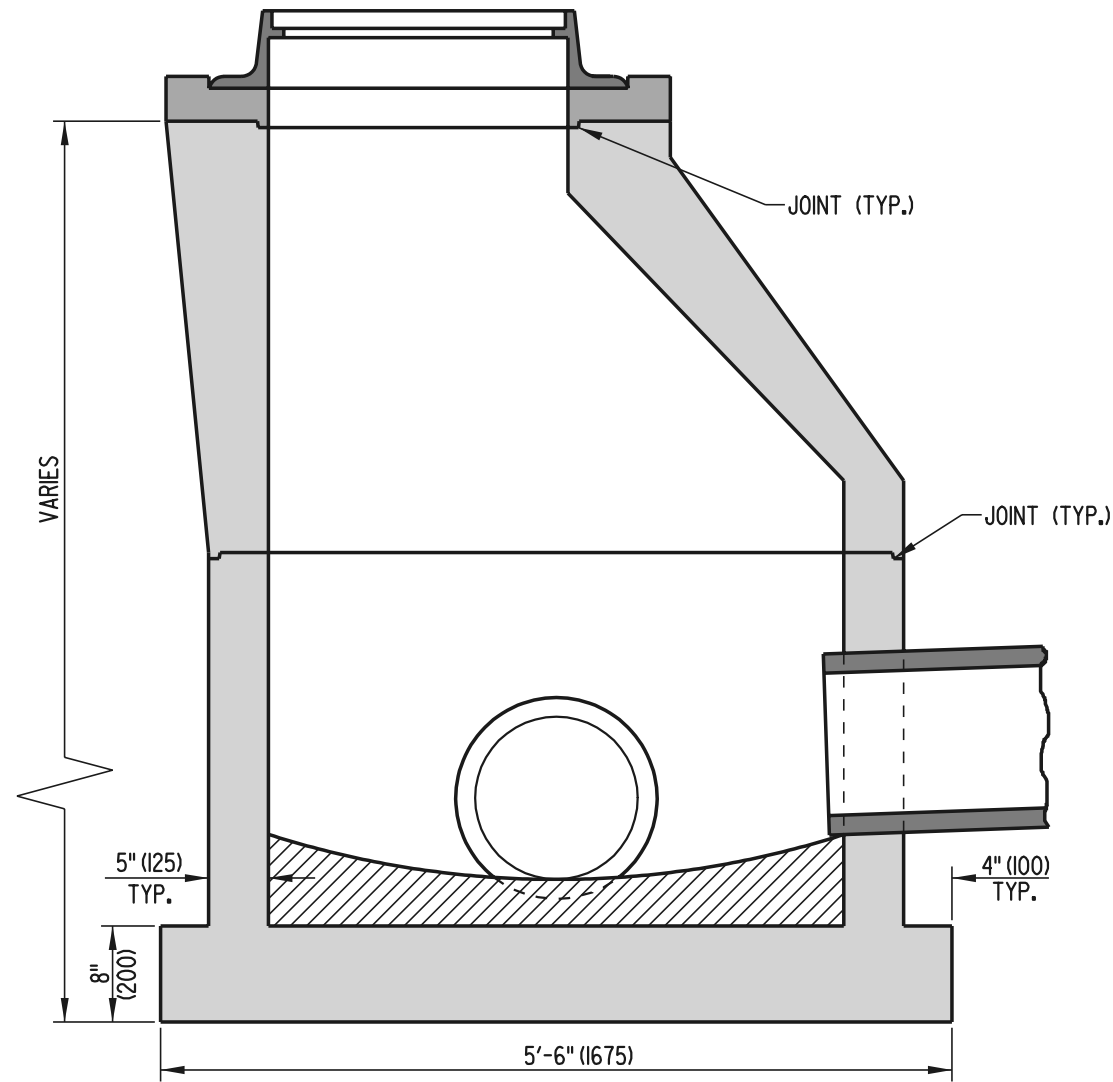


PLAN



SECTION A-A

ROUND MANHOLE ASSEMBLY

NOTE: ROUND MANHOLES SHALL BE CONSTRUCTED IN ACCORDANCE WITH AASHTO M 199.



DELAWARE
DEPARTMENT OF TRANSPORTATION

MANHOLE DETAILS

STANDARD NO. D-6 (2001) SHT. 2 OF 4

APPROVED *Ryan M. Harkness* 6/18/01
CHIEF ENGINEER DATE
 RECOMMENDED *Mehal Akhavan* 6/18/01
DESIGN ENGINEER DATE