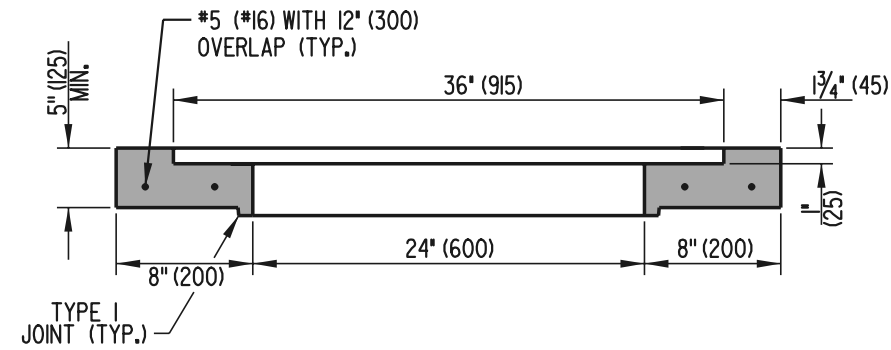
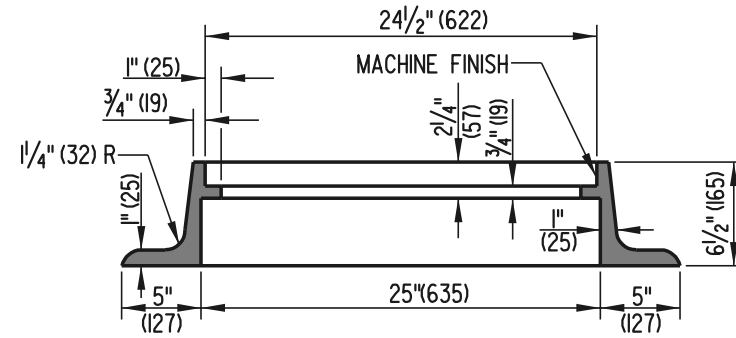


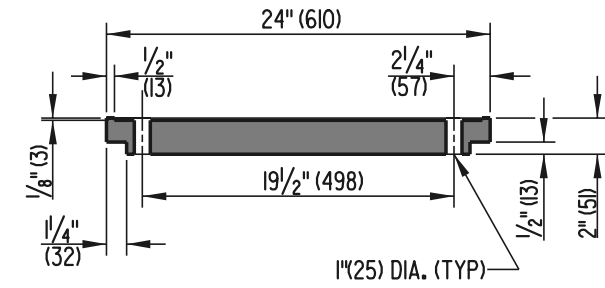
NOTE: TOP UNIT IS TO BE CAST IN PLACE TO GRADE AS SPECIFIED ON PLAN SHEETS OR AS DIRECTED BY ENGINEER.



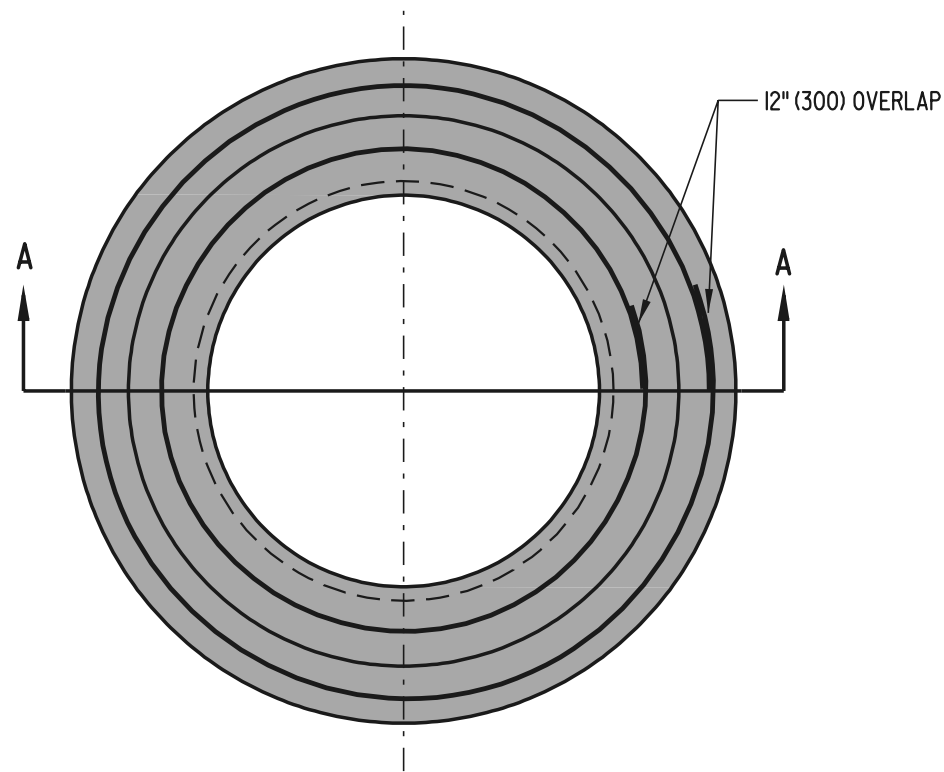
**SECTION A-A**



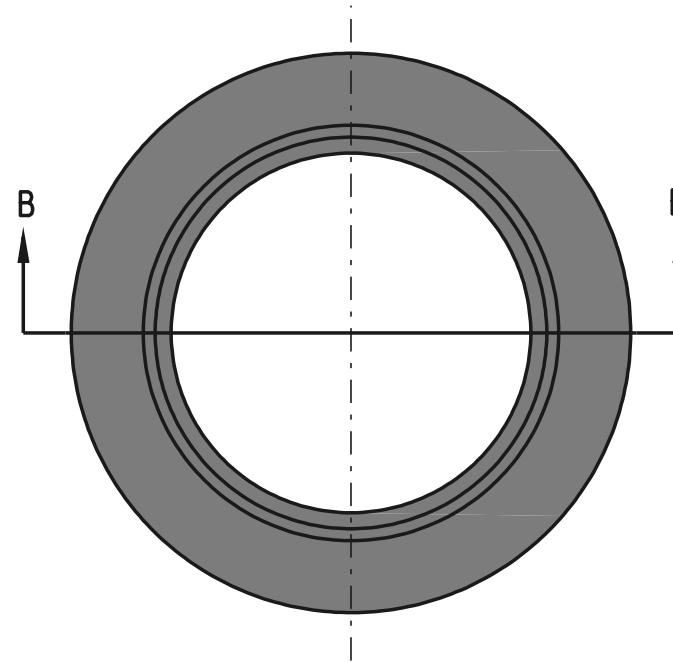
**SECTION B-B**



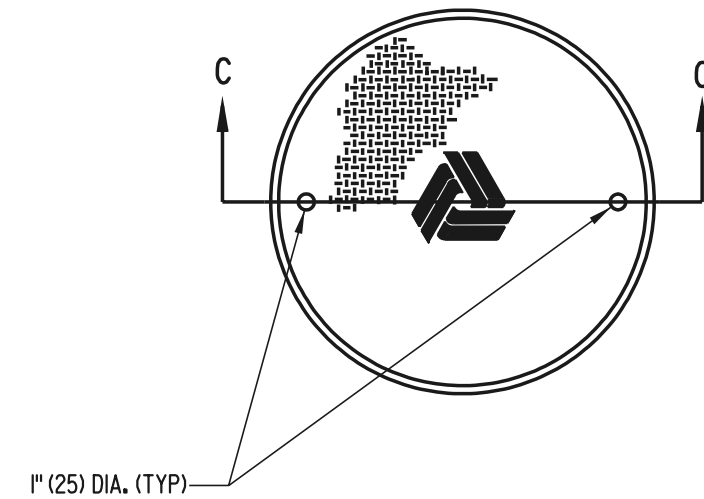
**SECTION C-C**



**TOP UNIT**



**FRAME**



**COVER**



DELAWARE  
DEPARTMENT OF TRANSPORTATION

MANHOLE DETAILS

STANDARD NO. D-6 (2001) SHT. 3 OF 4

APPROVED *Ryan M. Harshbarger* 6/18/01  
CHIEF ENGINEER DATE

RECOMMENDED *Mehal Akhavan* 6/18/01  
DESIGN ENGINEER DATE