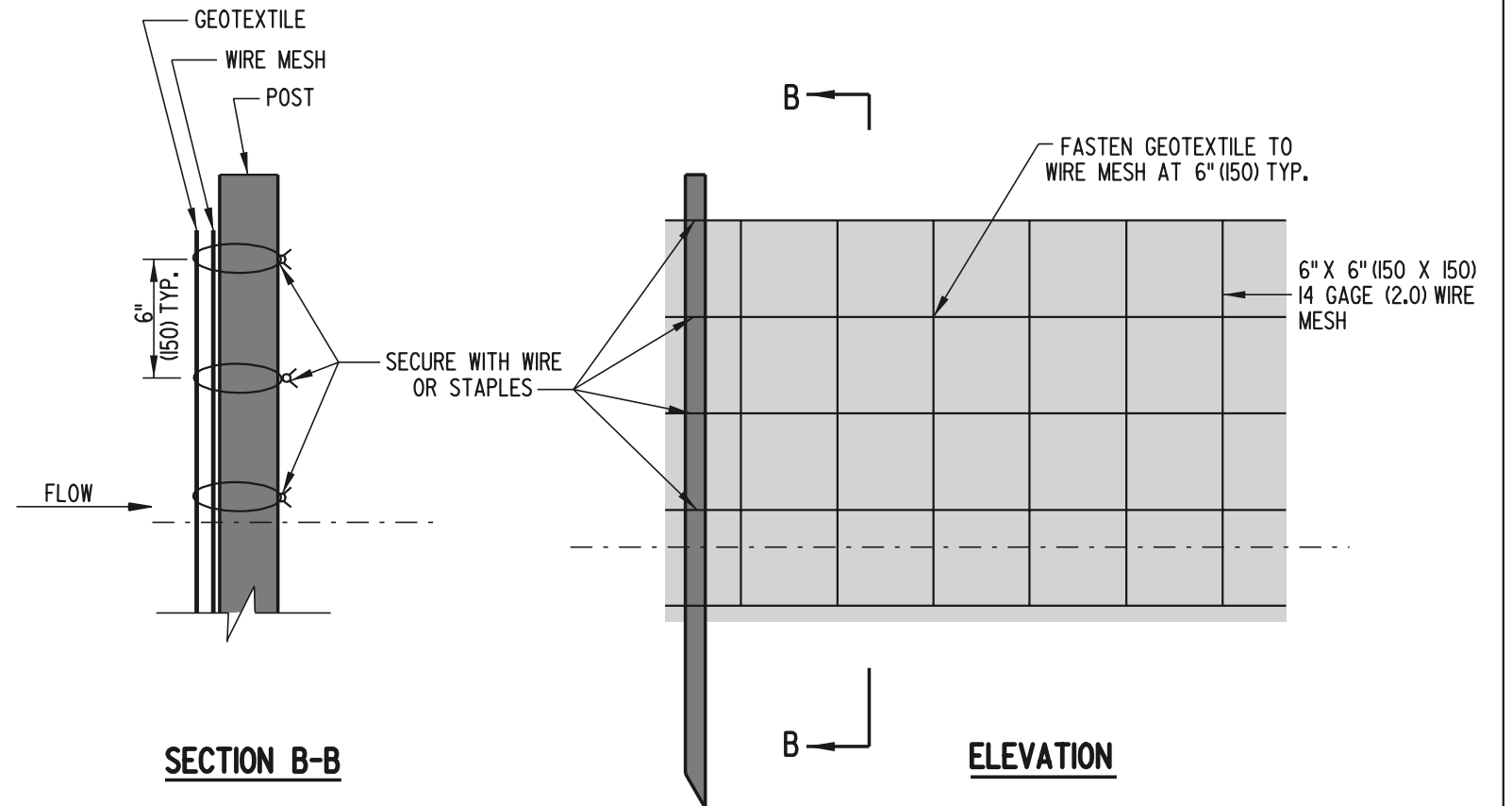


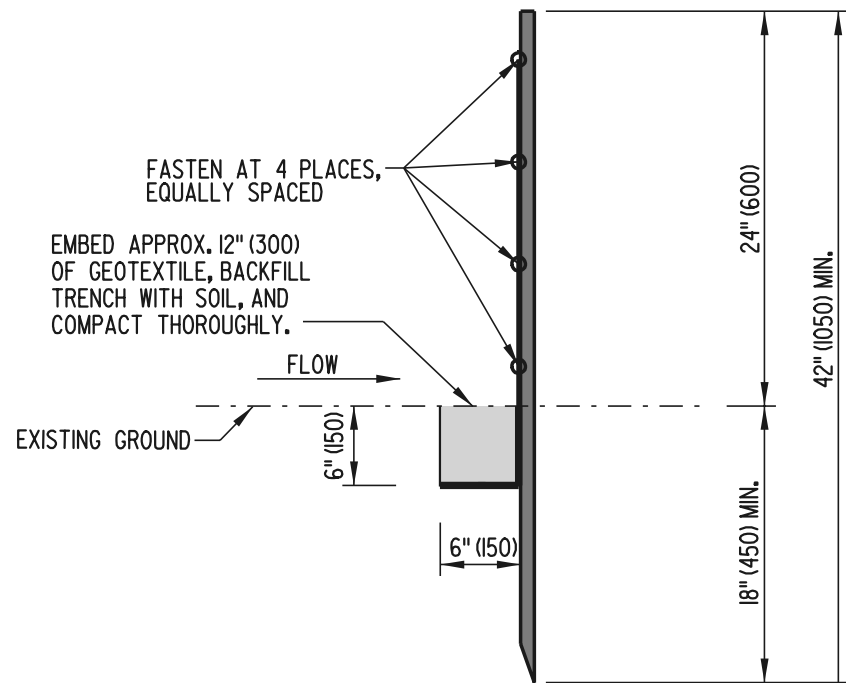
ISOMETRIC VIEW



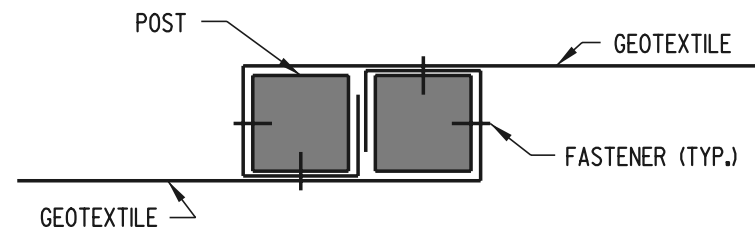
SECTION B-B

ELEVATION

**WIRE MESH DETAIL
(REINFORCED SILT FENCE ONLY)**



SECTION A-A

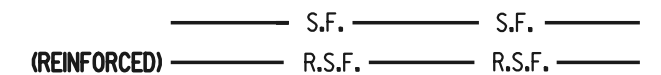


CONNECTON DETAIL

FOR USE WITH JOINING TWO
ADJACENT SILT FENCE SECTIONS

NOTE: THIS DEVICE IS INTENDED TO CONTROL SHEET FLOW ONLY.
IT SHALL NOT BE USED IN AREAS OF CONCENTRATED FLOW.

PLAN SYMBOL



**DELAWARE
DEPARTMENT OF TRANSPORTATION**

SILT FENCE

STANDARD NO. **E-2 (2001)**

SHT. **1** OF **1**

APPROVED *Ryan M. Harshbarger* **6/18/01**
CHIEF ENGINEER DATE

RECOMMENDED *Mehal Alghobari* **6/18/01**
DESIGN ENGINEER DATE