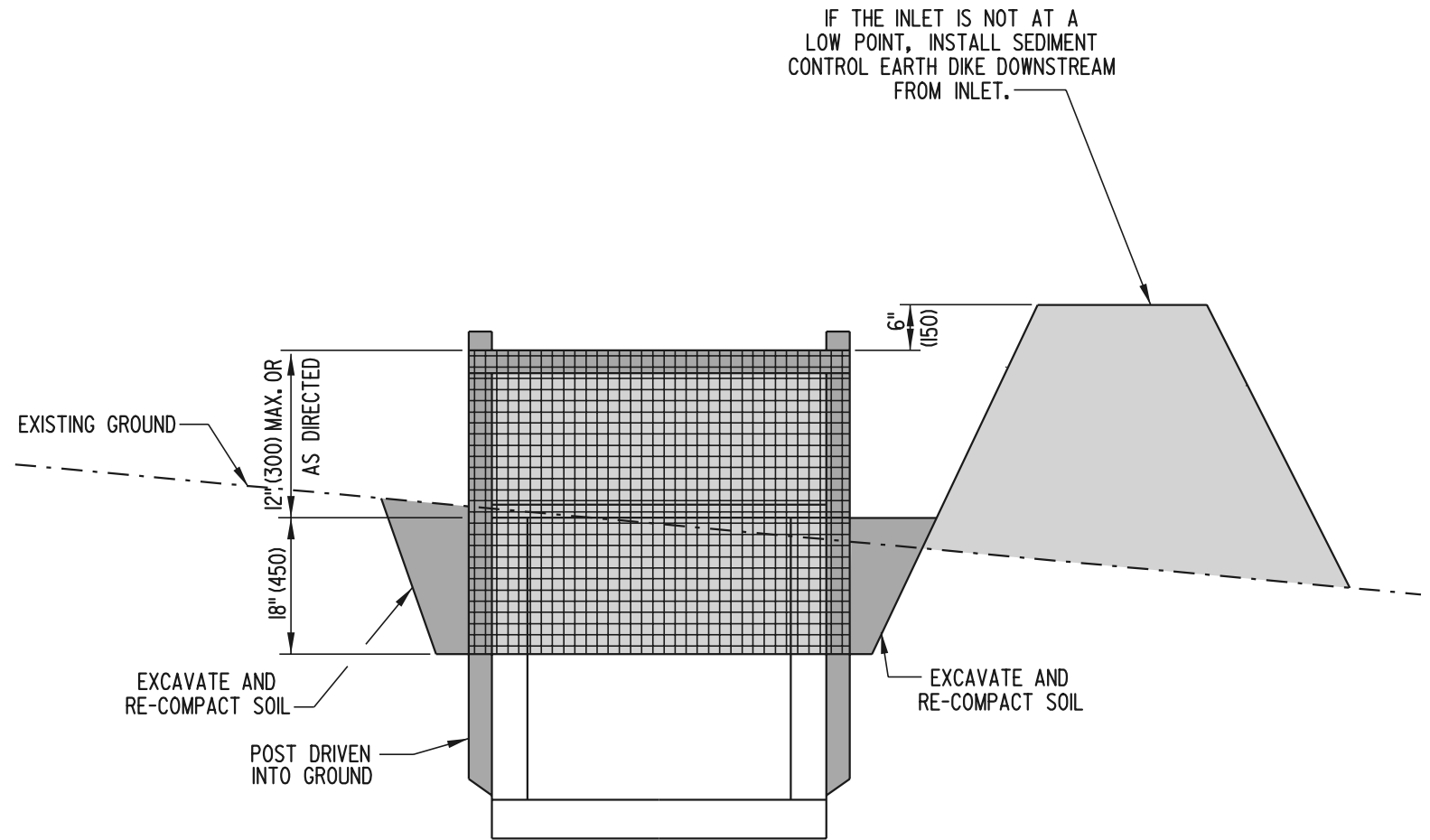


ISOMETRIC VIEW



SECTION A-A

NOTE: IF THE INLET IS NOT IN A LOW POINT, CONSTRUCT A SEDIMENT CONTROL EARTH DIKE IN THE DITCHLINE DOWNSTREAM FROM IT. SEE STANDARD SHEET FOR ADDITIONAL INFORMATION.

PLAN SYMBOL



**DELAWARE
DEPARTMENT OF TRANSPORTATION**

DRAINAGE INLET SEDIMENT CONTROL

STANDARD NO. **E-3 (2001)** SHT. **1** OF **1**

APPROVED *Ryan M. Harkness* 6/18/01
CHIEF ENGINEER DATE
 RECOMMENDED *Michael R. [Signature]* 6/18/01
DESIGN ENGINEER DATE