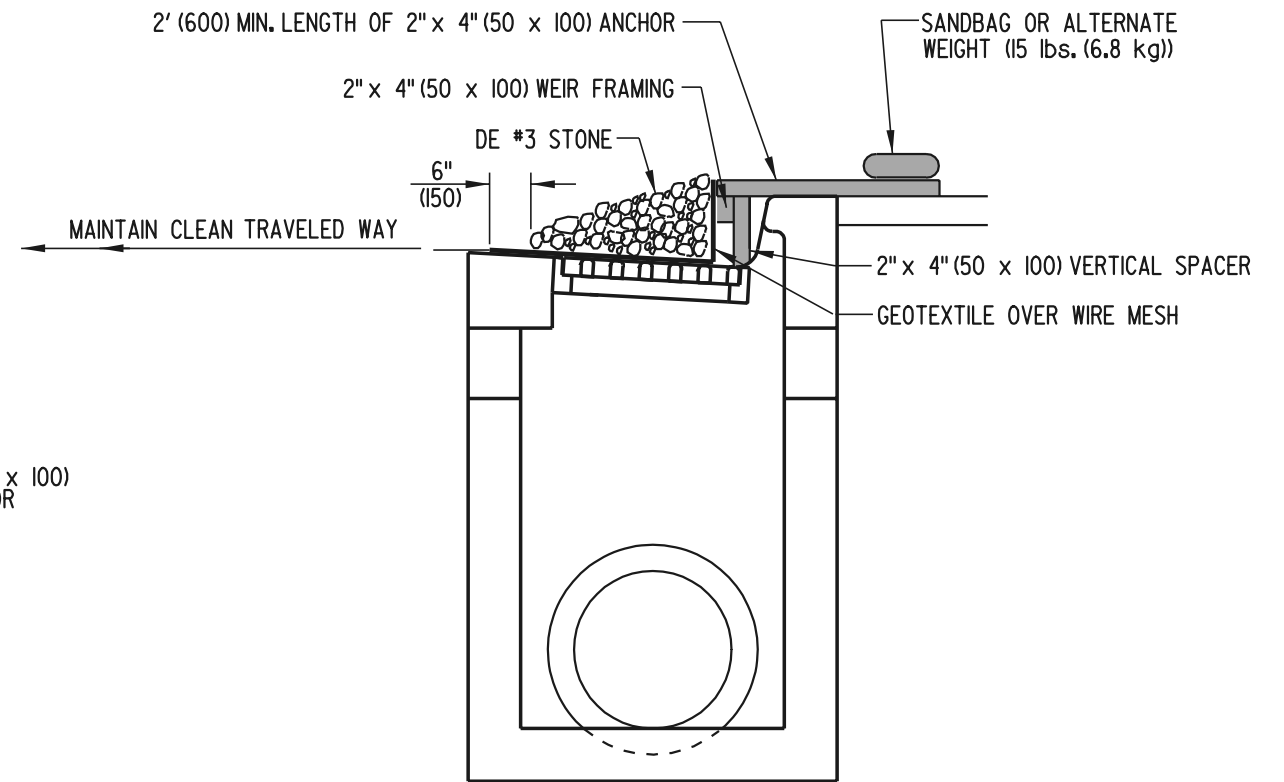


ISOMETRIC VIEW



SECTION A-A

PLAN SYMBOL



**DELAWARE
DEPARTMENT OF TRANSPORTATION**

CURB INLET SEDIMENT CONTROL

STANDARD NO. **E-4 (2001)** SHT. **1** OF **1**

APPROVED *Ryan M. Harshbarger* **6/18/01**
CHIEF ENGINEER DATE
 RECOMMENDED *Mehal Alghob* **6/18/01**
DESIGN ENGINEER DATE