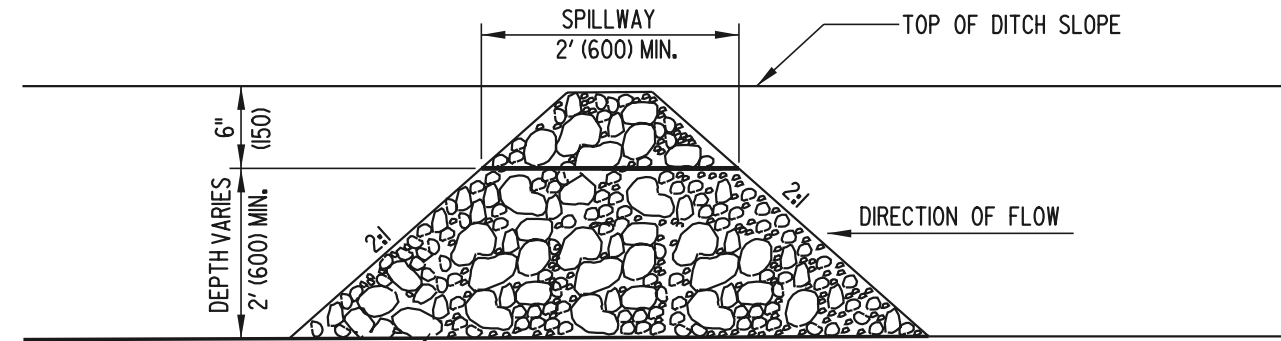
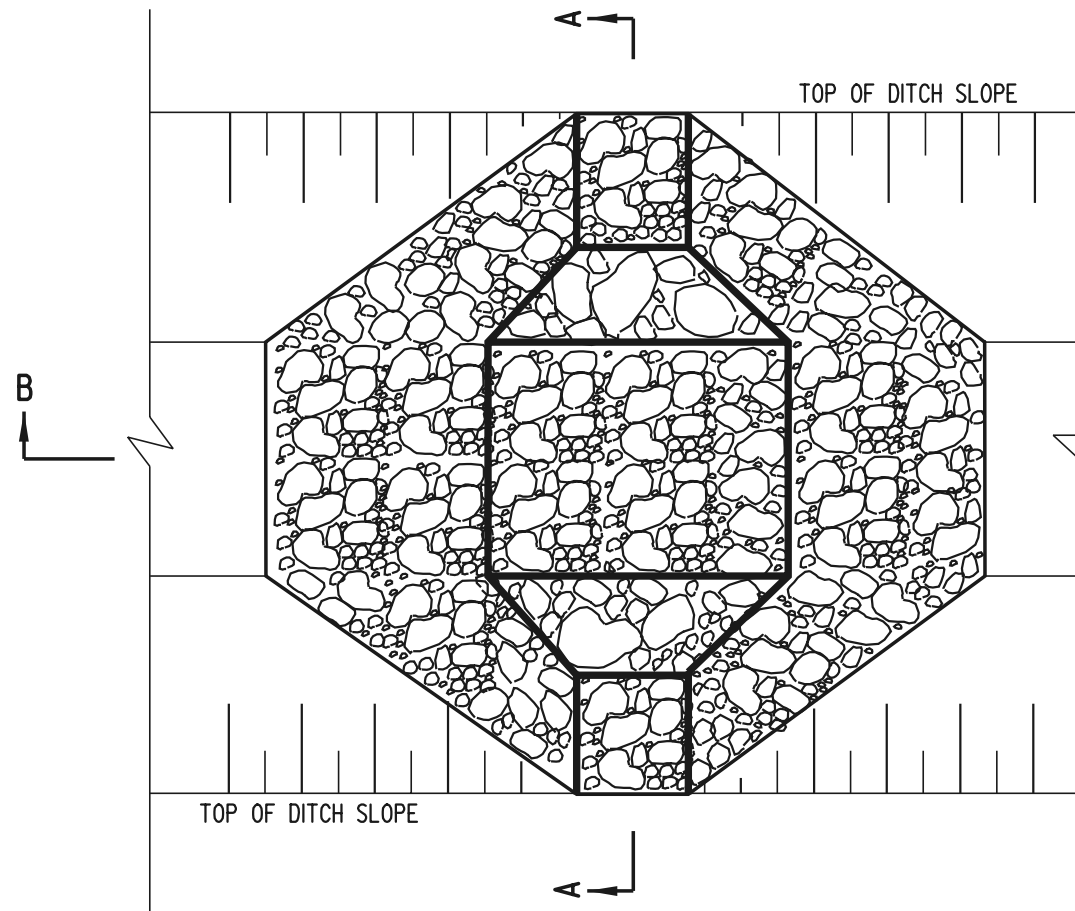


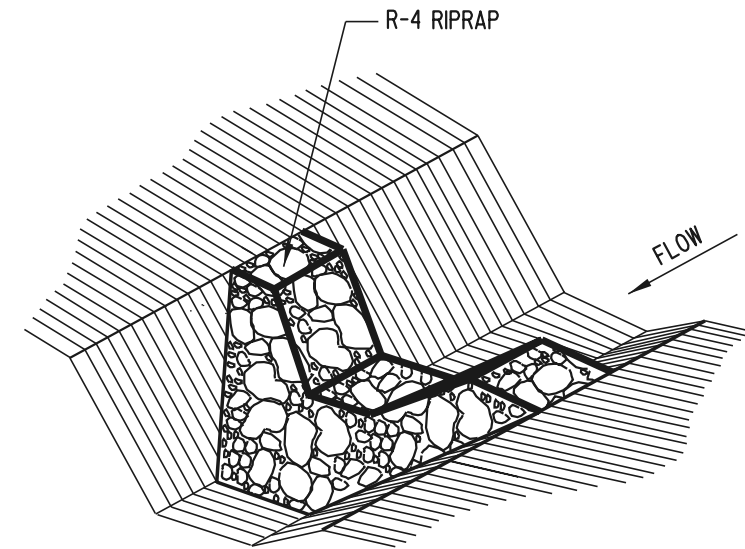
SECTION A-A



SECTION B-B



PLAN



ISOMETRIC VIEW

- NOTES:**
- 1). STONE CHECK DAMS ARE INTENDED FOR USE IN EXISTING, PROPOSED, AND TEMPORARY DITCHES OF ALL TYPES AS SHOWN ON PLANS OR AS DIRECTED BY THE ENGINEER.
 - 2). FOR DITCHES LESS THAN 30" (750) IN DEPTH, PLACE DAM AS DIRECTED.

PLAN SYMBOL



**DELAWARE
DEPARTMENT OF TRANSPORTATION**

STONE CHECK DAM

STANDARD NO.

E-5 (2001)

SHT.

1

OF

1

APPROVED

Ryan M. Harshbarger
CHIEF ENGINEER DATE 6/18/01

RECOMMENDED

Michael R. [Signature]
DESIGN ENGINEER DATE 6/18/01