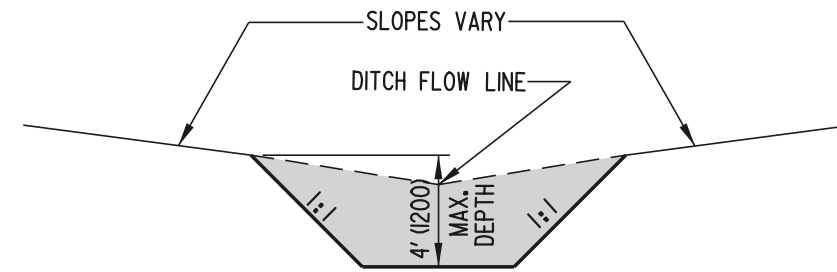
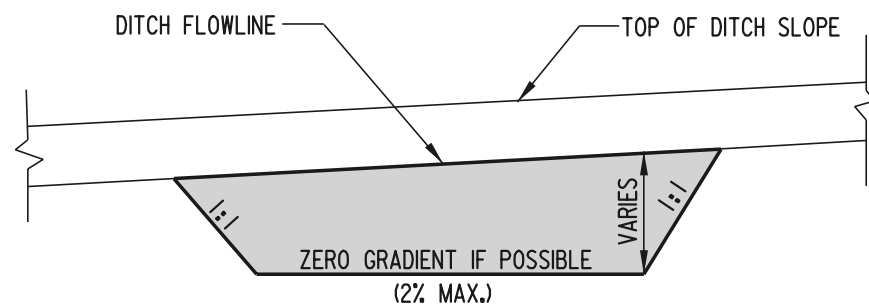


PLAN



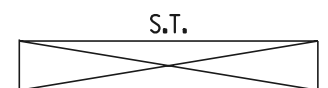
SECTION B-B



SECTION A-A

- NOTES:**
- 1). SEDIMENT TRAPS ARE INTENDED FOR USE IN EXISTING, PROPOSED, AND TEMPORARY DITCHES OF ALL TYPES WITH A MAXIMUM DRAINAGE AREA OF 15 ACRES (6 HECTARES), AS SHOWN ON PLANS OR AS DIRECTED BY THE ENGINEER.
 - 2). SIDE SLOPES SHALL BE STABILIZED WITH "TEMPORARY GRASS SEEDING, DRY GROUND" AND STRAW MULCH.
 - 3). AN OUTLET STRUCTURE IS REQUIRED. STONE CHECK DAMS, PERFORATED RISER PIPES, SKIMMER DEWATERING DEVICES, OR DRAINAGE INLETS MAY BE USED. SEE APPROPRIATE STANDARD SHEET FOR ADDITIONAL INFORMATION.
 - 4). FOR SIZE, LOCATION, ETC. OF SEDIMENT TRAP, SEE CONSTRUCTION PHASING, M.O.T., AND EROSION CONTROL PLANS.
 - 5). ALL FILL SLOPES SHALL BE 2:1.
 - 6). A 2:1 LENGTH TO WIDTH RATIO SHOULD BE ACHIEVED WHERE POSSIBLE. IF THIS IS NOT POSSIBLE, THE USE OF BAFFLES OR OTHER SPECIAL DESIGNS SHOULD BE INCORPORATED TO INCREASE FLOW TIME.

PLAN SYMBOL



**DELAWARE
DEPARTMENT OF TRANSPORTATION**

SEDIMENT TRAP

STANDARD NO. **E-6 (2001)** SHT. **1** OF **1**

APPROVED *Ryan M. Harshbarger* **6/18/01**
CHIEF ENGINEER DATE
 RECOMMENDED *Mehal P. Gupta* **6/18/01**
DESIGN ENGINEER DATE