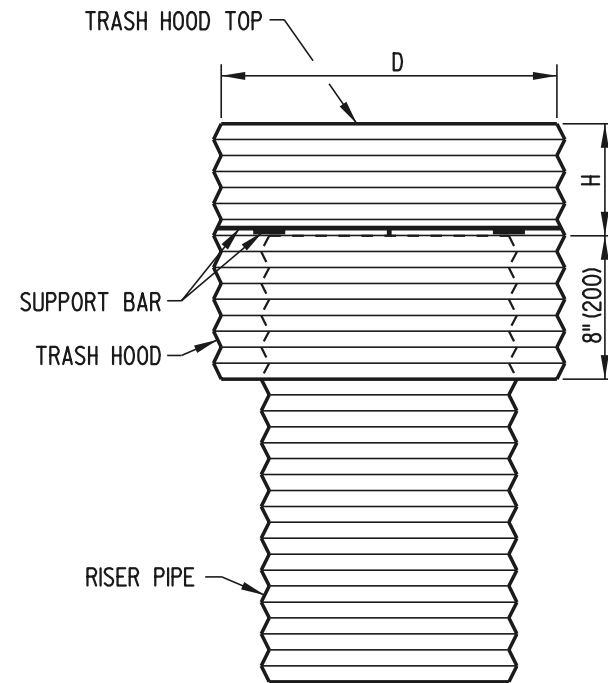
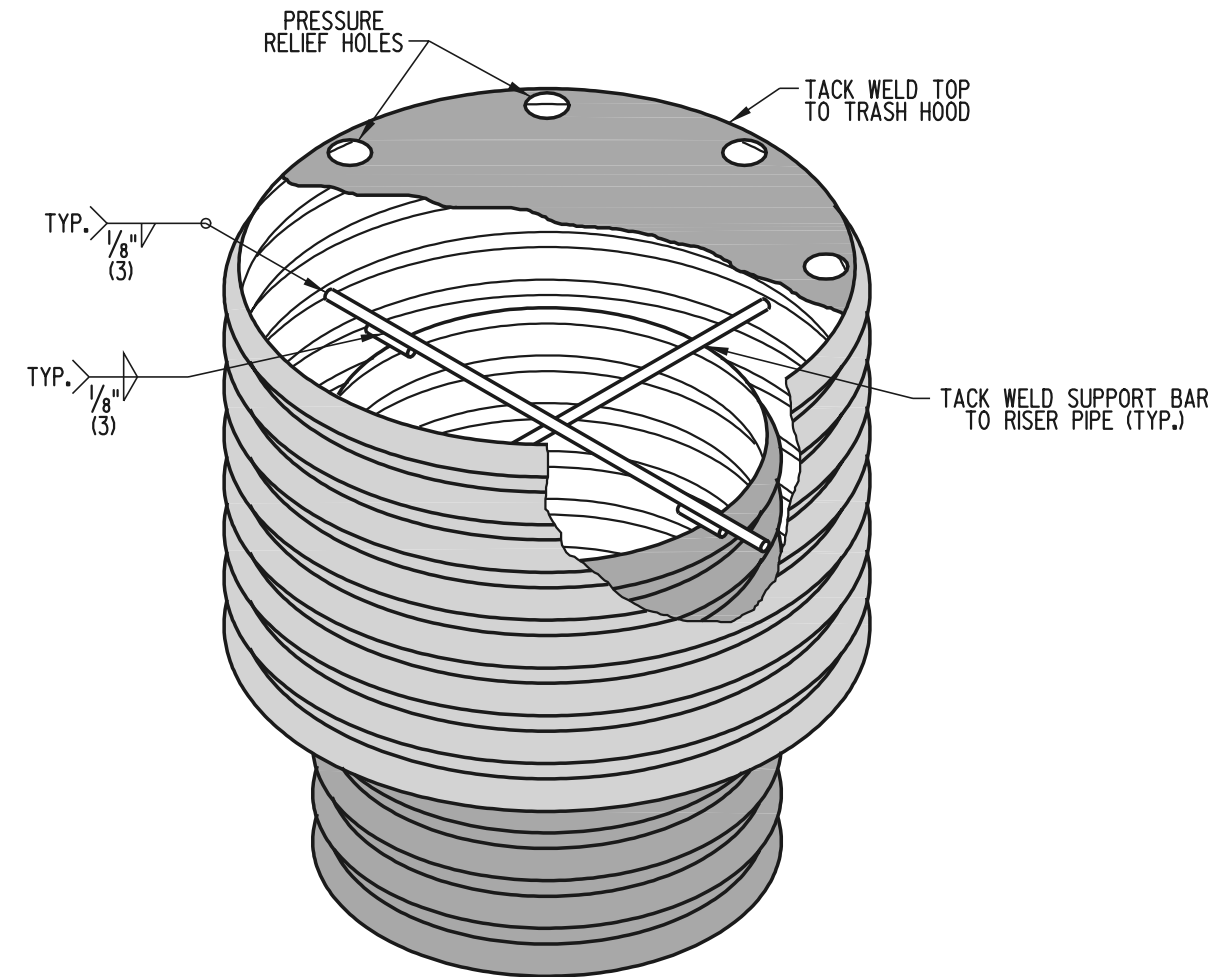


PLAN

TRASH HOOD CHART					
RISER PIPE DIAMETER	D	H	TRASH HOOD THICK. (GAGE)	MINIMUM SIZE SUPPORT BAR	MINIMUM TOP THICK. (GAGE)
15" (375)	21" (525)	7" (175)	16 (1.6)	#6 (#19) REBAR	16 (1.6)
18" (450)	27" (675)	8" (200)	16 (1.6)	#6 (#19) REBAR	16 (1.6)
21" (525)	30" (750)	11" (275)	16 (1.6)	#6 (#19) REBAR	16 (1.6)
24" (600)	36" (900)	13" (330)	16 (1.6)	#6 (#19) REBAR	14 (2.0)
27" (675)	42" (1050)	15" (380)	16 (1.6)	#6 (#19) REBAR	14 (2.0)
36" (900)	54" (1350)	17" (430)	14 (2.0)	#8 (#25) REBAR	12 (2.7)



FRONT



ISOMETRIC VIEW

TRASH HOOD DETAILS

PLAN SYMBOL



**DELAWARE
DEPARTMENT OF TRANSPORTATION**

RISER PIPE ASSEMBLY FOR SEDIMENT TRAP

STANDARD NO. **E-8 (2001)** SHT. **2** OF **2**

APPROVED *Ryan M. Harshbarger* **6/18/01**
CHIEF ENGINEER DATE

RECOMMENDED *Mehal Alghobari* **6/18/01**
DESIGN ENGINEER DATE