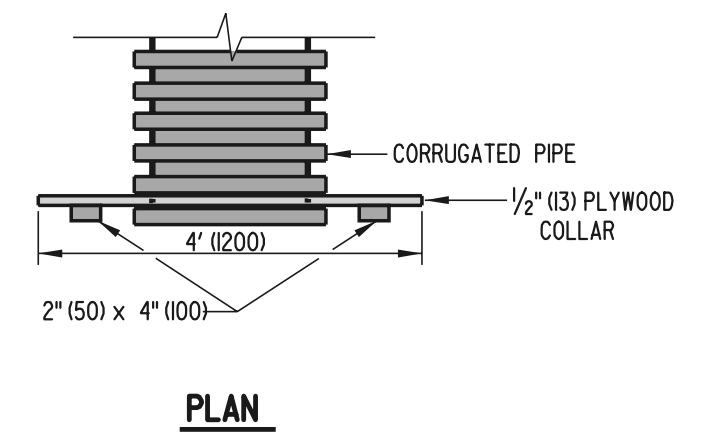
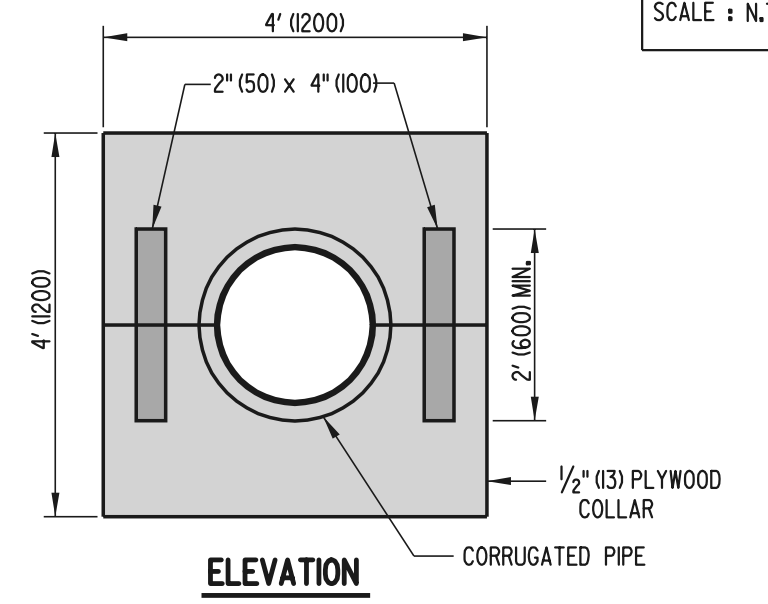
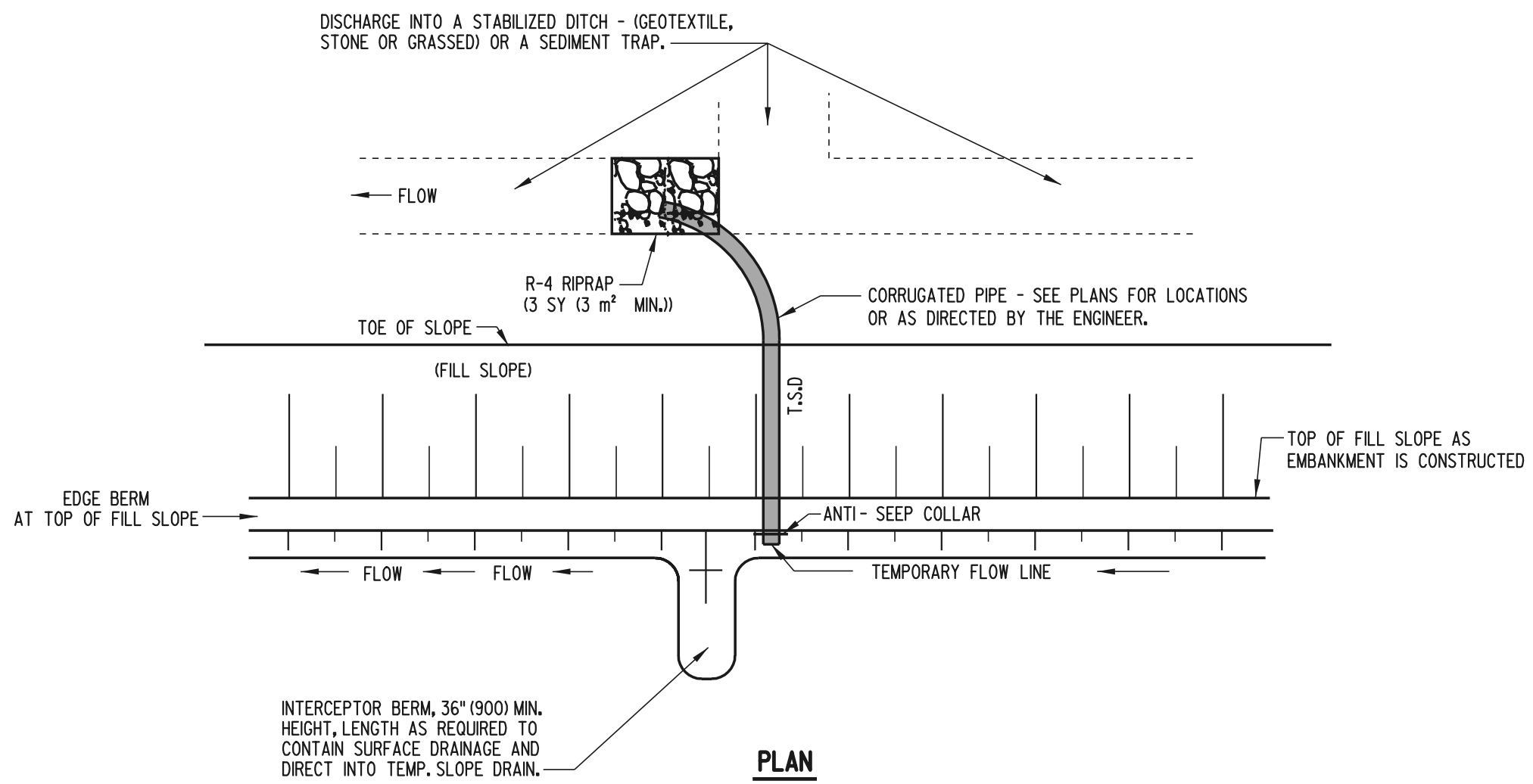


SCALE : N.T.S.



**ANTI-SEEP COLLAR**

- NOTES:** 1). ALL TEMPORARY SLOPE DRAINS SHALL DISCHARGE INTO THE BACK OF SEDIMENT TRAPS, INTO SEDIMENT BASINS OR DITCHES DISCHARGING INTO TRAPS OR BASINS.
- 2). TEMPORARY SLOPE DRAINS SHALL BE USED AT THE TOP OF FILL SLOPES AS EMBANKMENT IS CONSTRUCTED, TO PREVENT EXCESSIVE EROSION UNTIL SHOULDERS ARE CONSTRUCTED AND THE SLOPES ARE SEEDED AND MULCHED.

