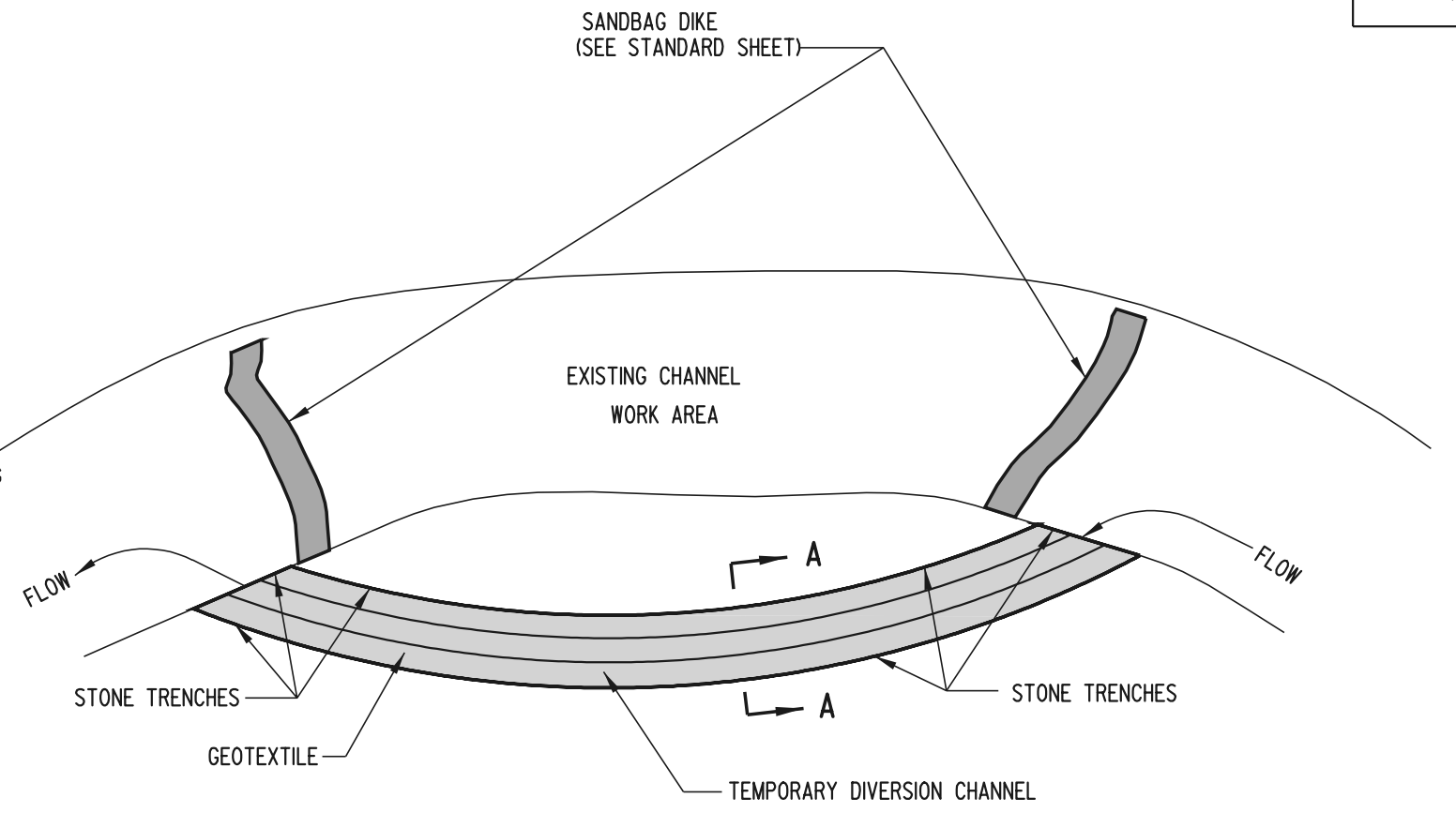
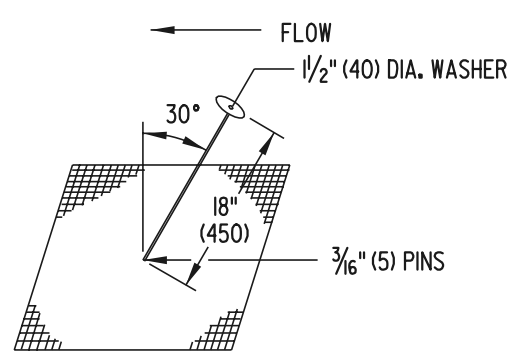


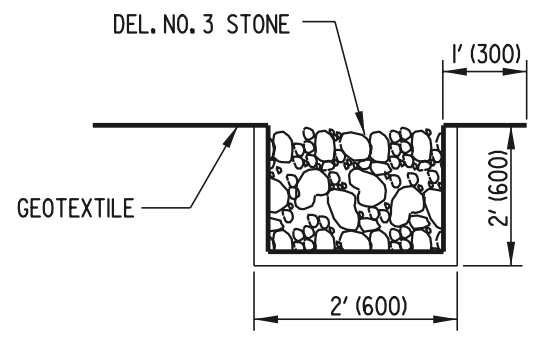
OBLIQUE VIEW



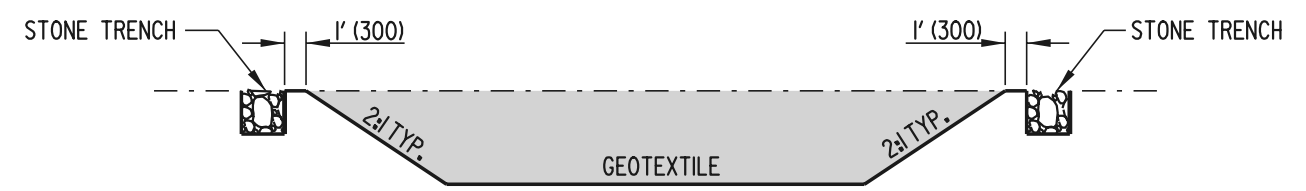
PLAN



FASTENING DETAIL



TRENCHING DETAIL



SECTION A-A

PLAN SYMBOL



NOTE: SEE PLANS FOR LOCATION, DIMENSIONS, GRADES, ETC.