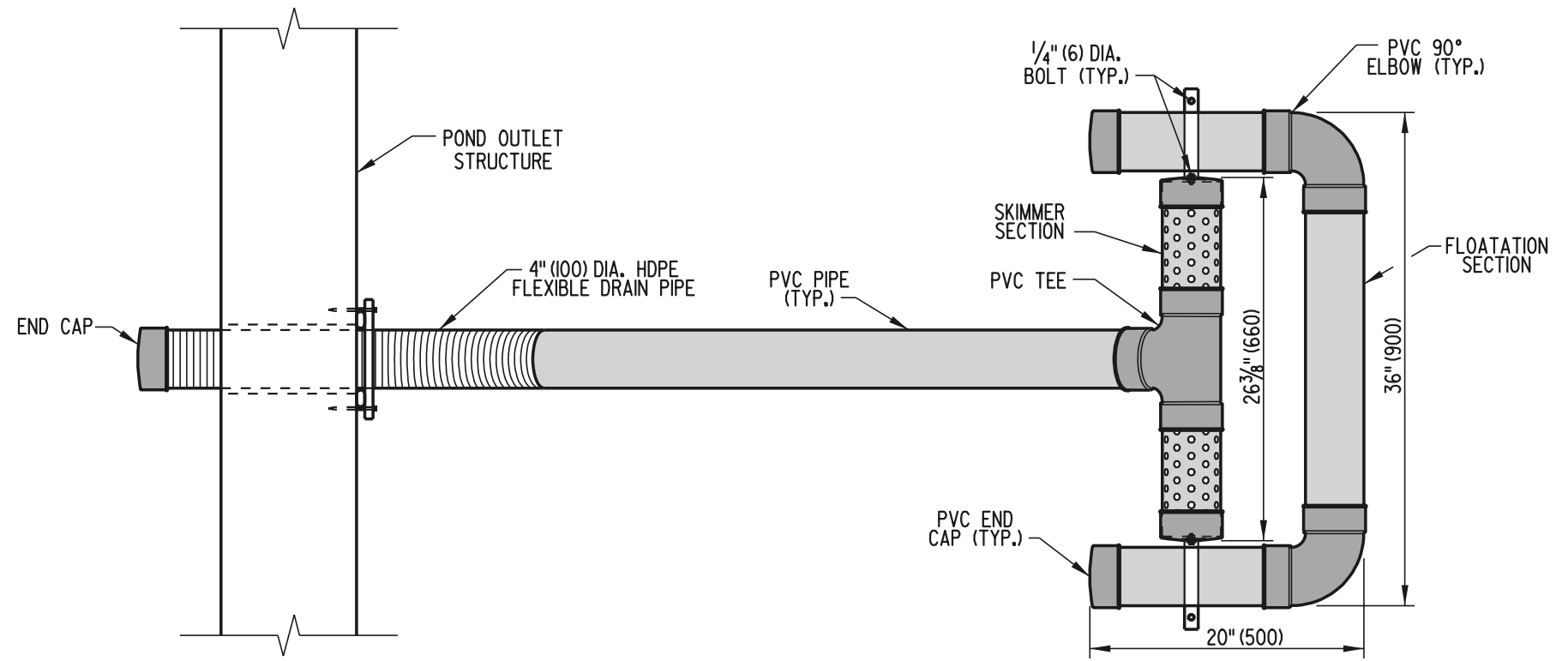
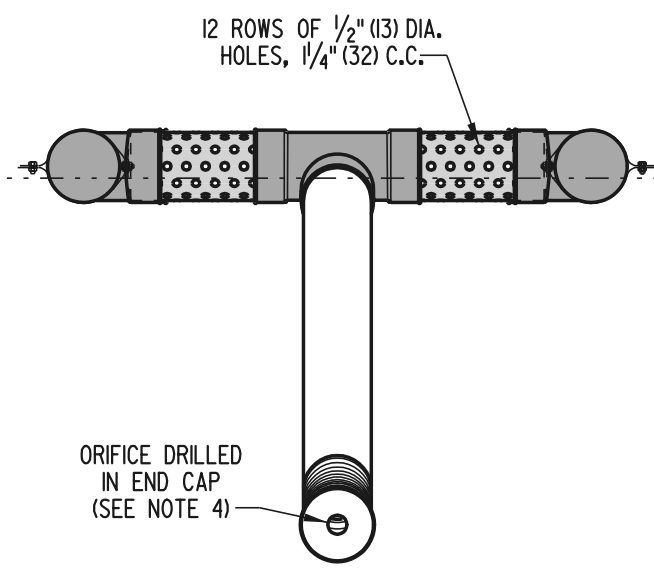


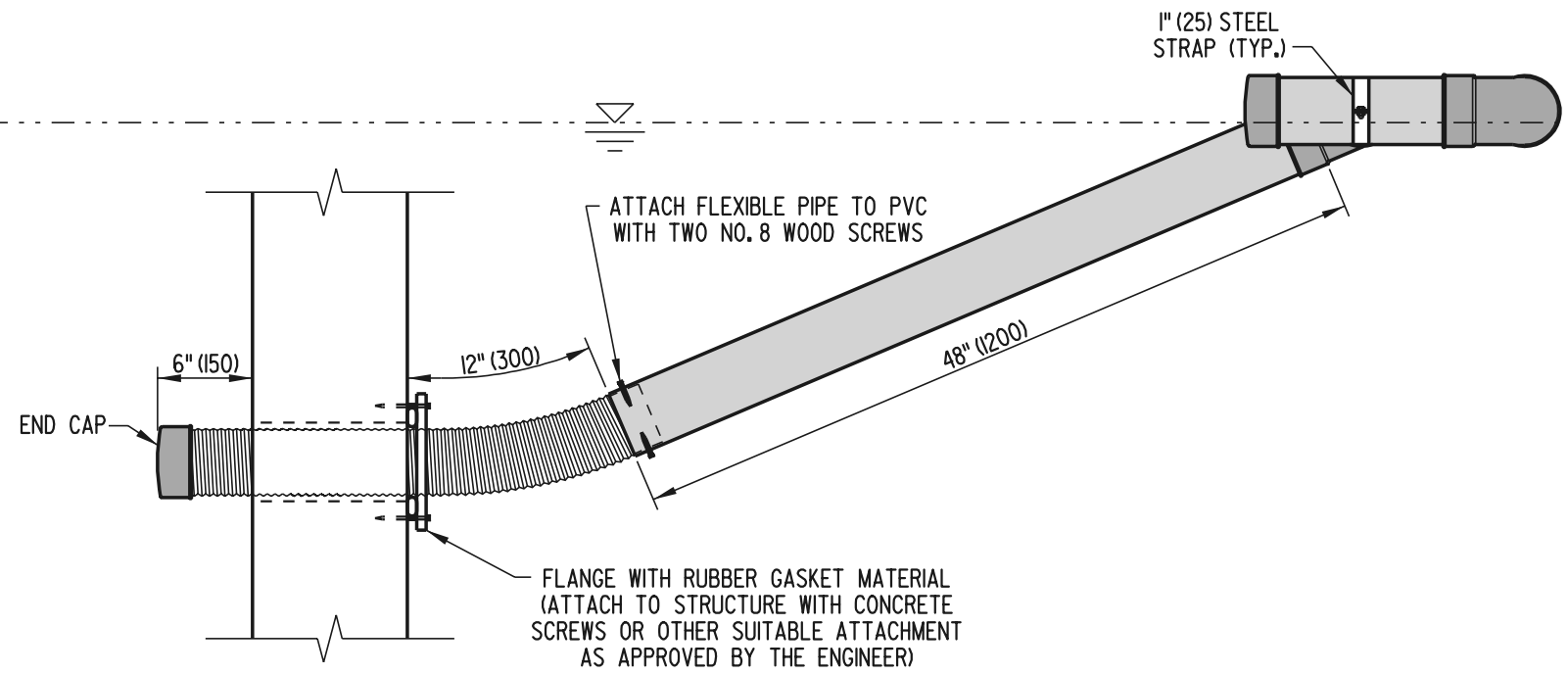
- NOTES:**
- 1). ALL P.V.C. PIPES ARE TO BE 4" (100) I.D., SCHEDULE 40
 - 2). ALL JOINTS OF THE FLOATATION SECTION SHALL BE SOLVENT WELDED. JOINTS OF SKIMMER SECTION NEED NOT BE WATER-TIGHT.
 - 3). 4" (100) HDPE FLEXIBLE DRAIN PIPE IS TO BE ATTACHED TO THE POND OUTLET STRUCTURE WITH WATER-TIGHT CONNECTIONS.
 - 4). ORIFICE IS TO BE SIZED ACCORDING TO STORAGE VOLUME AND TO SLOWLY RELEASE 1" (25) RUNOFF FOR AT LEAST 24-HOURS.



PLAN VIEW



FRONT VIEW



SIDE VIEW