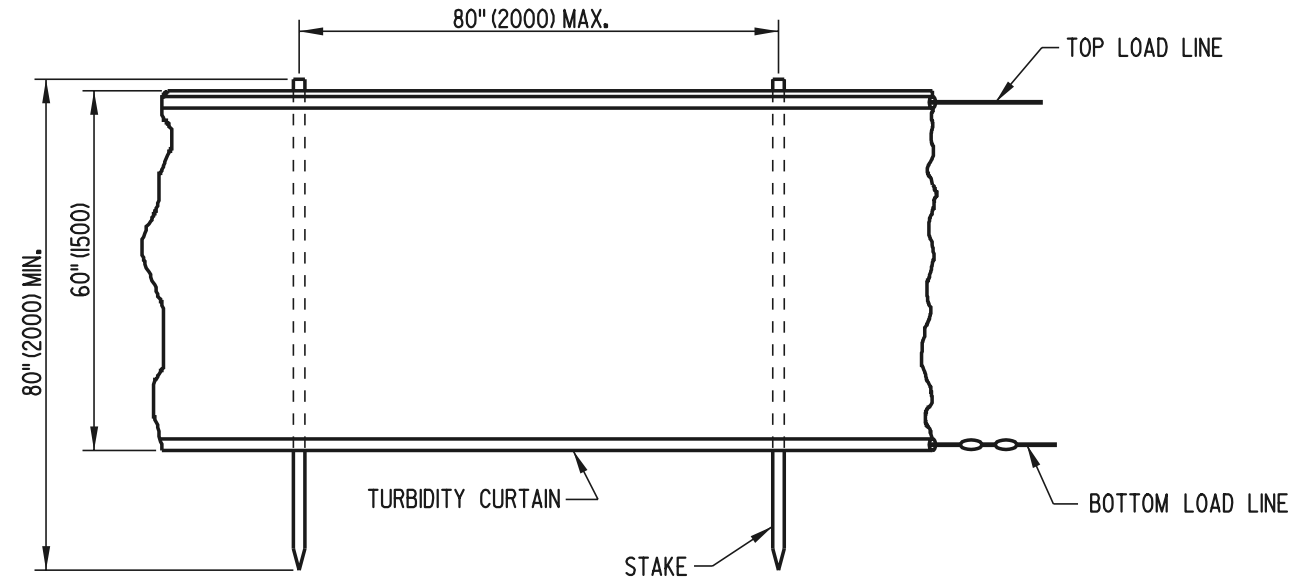
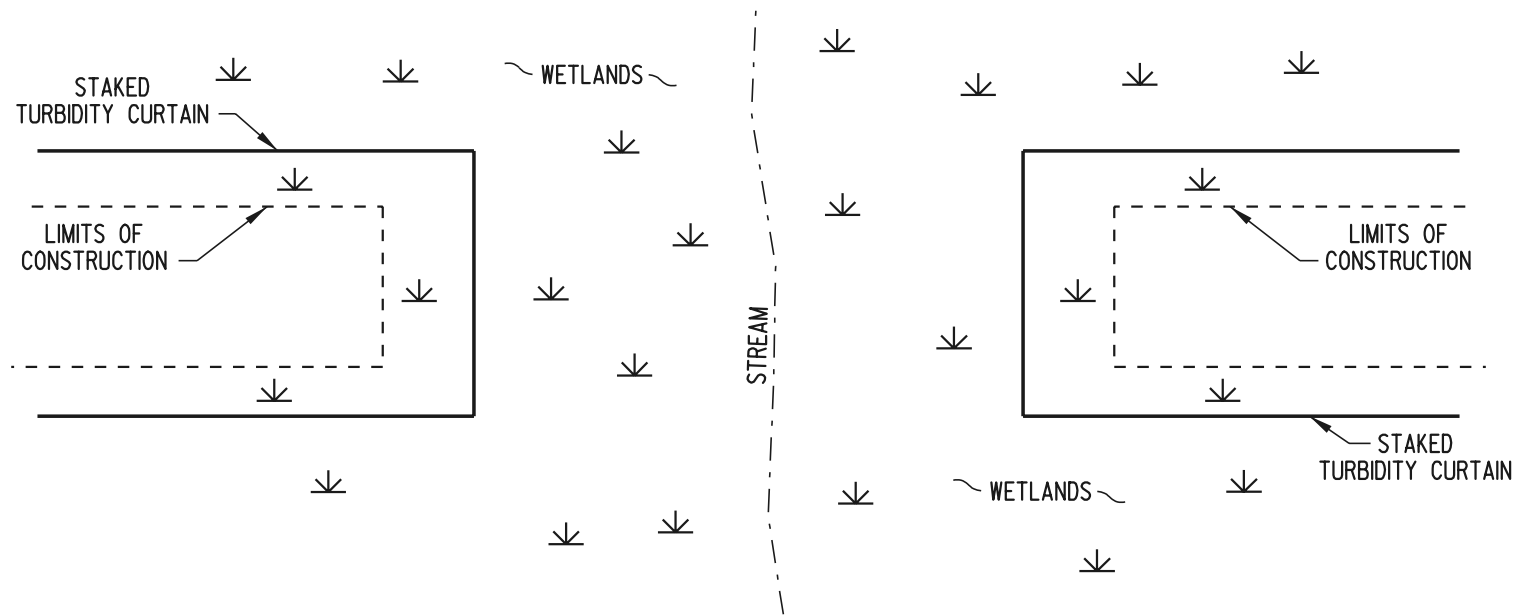


SECTION



ELEVATION



PLAN VIEW
SHALLOW WATER/MARSH APPLICATION

PLAN SYMBOL

— STC —

STAKED TURBIDITY CURTAIN



DELAWARE
DEPARTMENT OF TRANSPORTATION

TURBIDITY CURTAIN			
STANDARD NO.	E-23 (2001)	SHT.	2 OF 2

APPROVED	<i>Ryan M. Harshbarger</i>	6/18/01
	CHIEF ENGINEER	DATE
RECOMMENDED	<i>Michael R. [Signature]</i>	6/18/01
	DESIGN ENGINEER	DATE